

CRYSTORAMA

LIGHTING THE WAY FOR SIXTY YEARS



Crystorama.com

ASSEMBLY INSTRUCTION MODEL#EMO-5400-MG

WARNING:



Electrical Danger

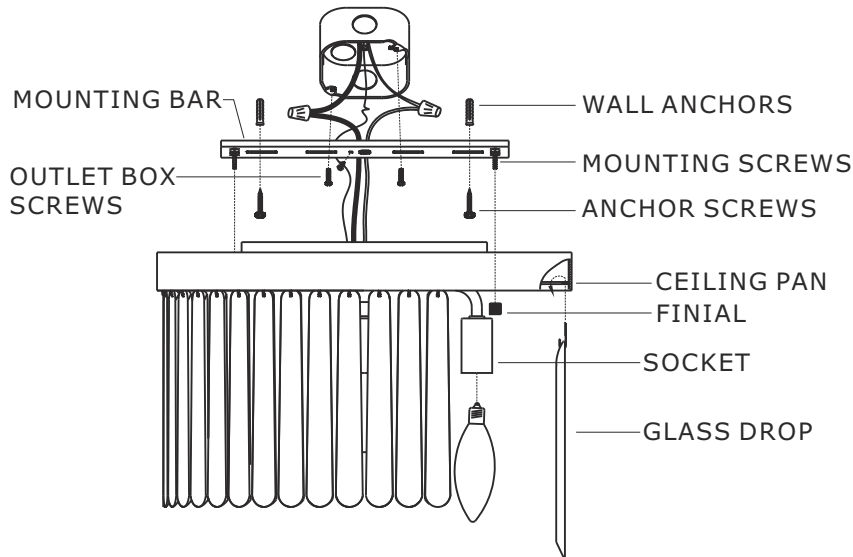


Turn Power off

All electrical components must be installed by a licensed electrician in accordance with the National Electric Code and the appropriate local electrical codes.

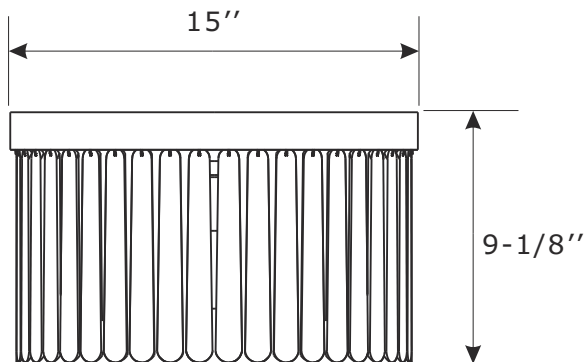


You will need 4- Candelabra Base Bulb
40 Watts Recommended 60 Watts Max.
USE LED BULBS FOR EXTENDED USE
This fixture is Damp rated




How to install

1. Place the mounting bar over the outlet box. Mark two points on the ceiling at the center of the keyhole on the mounting bar.
2. Drill two holes at the marked points and insert the wall anchors.
3. Place the mounting plate over the outlet box and secure it with outlet box screws. Insert the anchor screws into the wall anchors (Installed in step #2) and tighten.
4. Raise ceiling pan allowing the mounting screws to protrude through the holes in the ceiling pan, and secure with the cap nuts.
5. Hang glass drop to the ceiling pan.
6. Install the bulbs(not included) into the socket.



F=  (W1"xL7-7/8")x42sets

 WARNING: This product can expose you to Lead which is known to the state of California to cause cancer and/or birth defects or reproductive harm. For more information go to www.P65Warnings.ca.gov



ASSEMBLY INSTRUCTION MODEL#EMO-5400-MG

Part Number

Part Numbers

- A. (1)-Mounting hardware
- B. (1)-Mounting bar
- C. (1)-Ceiling pan
- D. (2)-Cap nut
- E. (4)-Socket
- F. (42)-Glass drop W1"xL7-7/8"

