

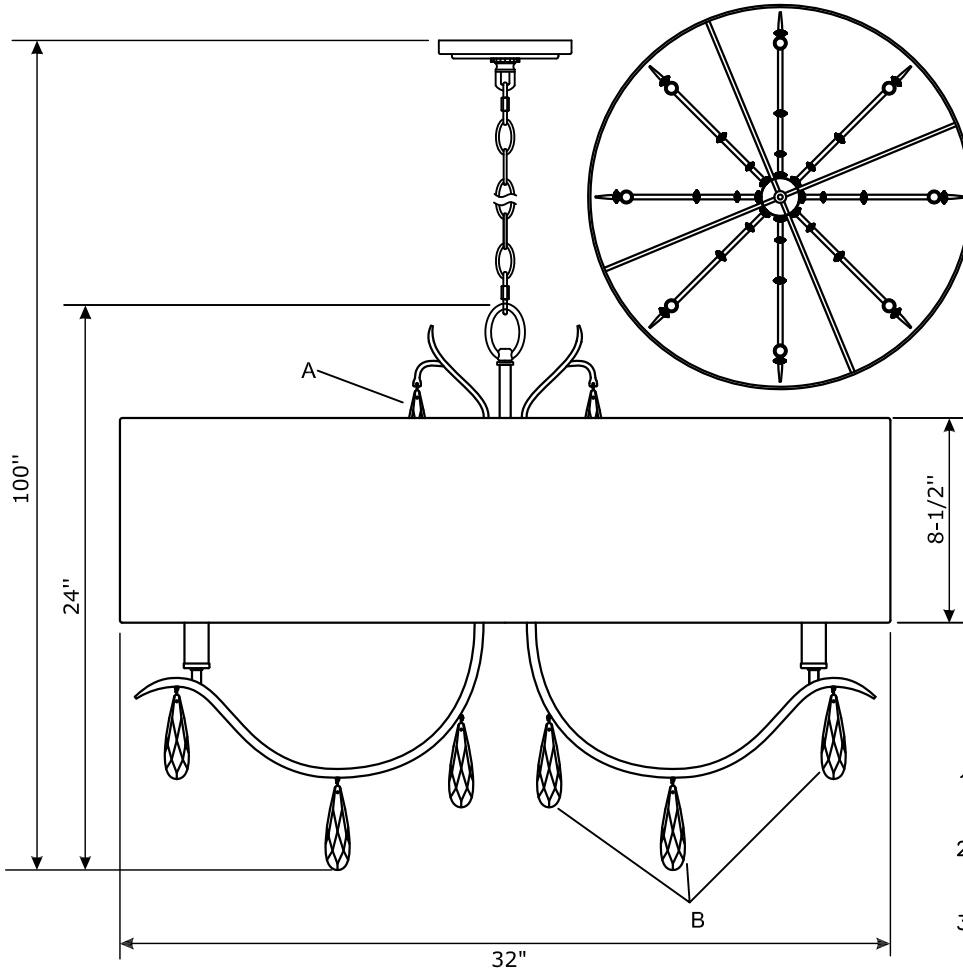
CRYSTORAMA


LIGHTING THE WAY FOR SIXTY YEARS




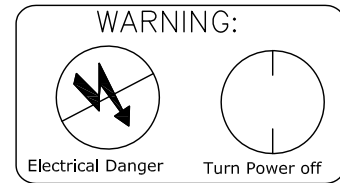
ASSEMBLY INSTRUCTION MODEL #ROL18808GA

Drawing (1)



A=  W0.875" x H3" Crystal *8PCS

B=  W1" x H3.375" Crystal*24pcs



All electrical components must be installed by a licensed electrician in accordance with the National Electric Code and the appropriate local electrical codes.



You will need 8-Candelabra Frosted 40 Watts Recommended 60 Watts Max.

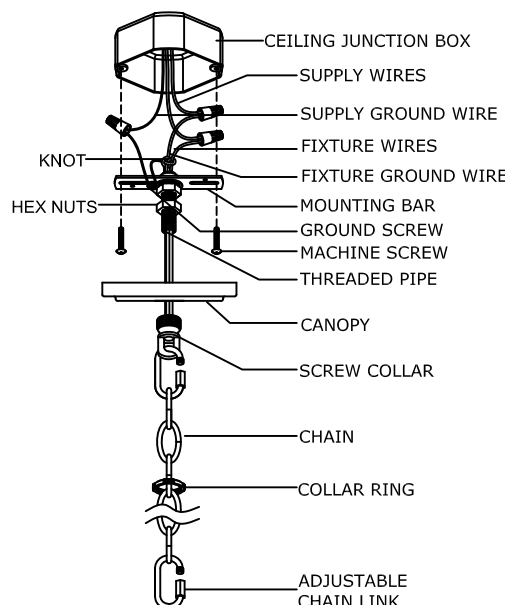
USE LED BULBS FOR EXTENDED USE

THIS FIXTURE IS DRY RATED

Please place the fixture frame on a soft cloth covered table before the installation.

1. Feed the fixture wires through the scroll kit and secure it onto the top of the fixture body with the loop kit.
2. Determine the preferred hanging height and choose the correct length of chains needed.
3. Raise the fixture up to the ceiling and do the wire connections. Raise the canopy up to the ceiling and secure with the screw collar loop ring.
4. Dress the crystals as illustrated.
5. Place the Candle Sleeve (J) over the Socket, then Install the Bulb into the Socket.

Drawing (2)



WARNING: This product can expose you to Lead which is known to the state of California to cause cancer and/or birth defects or reproductive harm. For more information go to www.P65Warnings.ca.gov

CRYSTORAMA

LIGHTING THE WAY FOR SIXTY YEARS



ASSEMBLY INSTRUCTION MODEL #ROL18808GA

Part Number

Part Numbers

- A. (1)-Mounting hardware
- B. (1)-Canopy W5.5"x H0.75" (XFW18806GACAN5.5IN)
- C. (1)-Collar Ring
- D. (1)-Collar Loop
- E. (2)-Quick Link
- F. (1)-Chain W4.2mm (XFW18806GACHA4.2MM)
- G. (1)-Loop kit
- H. (1)-Scroll kit
- I. (8)-Bulb (Not included)
- J. (8)-Candle Sleeve W1"x H4.25" (XFW18808GACDL4.25IN)
- K. (1)-Fixture Body
- L. (1)-Shade W32" x H8.5" (XFW18808GASHA32IN)

