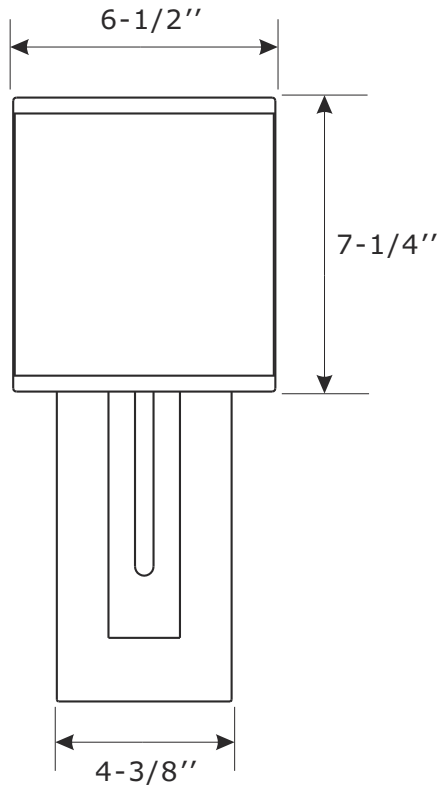


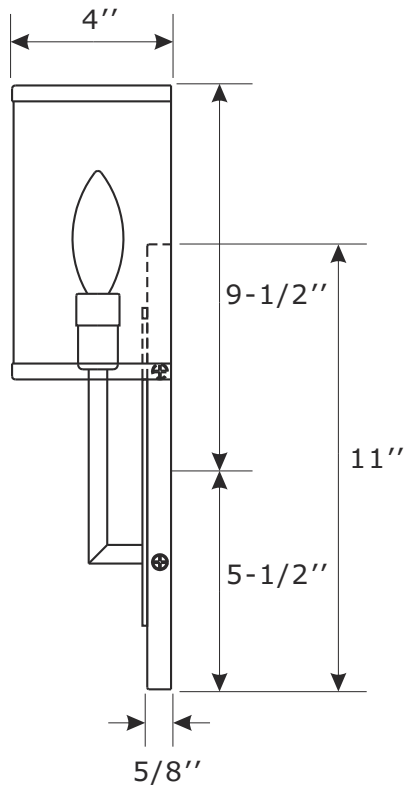


## ASSEMBLY INSTRUCTION MODEL #BRE-A3631-VG-BF

FRONT VIEW



SIDE VIEW



All electrical components must be installed by a licensed electrician in accordance with the National Electric Code and the appropriate local electrical codes.



You will need 1- Candelabra Base Bulb  
40 Watts Recommended 60 Watts Max.  
USE LED BULBS FOR EXTENDED USE  
This fixture is Damp rated

### How to install

1. Place the mounting plate over the outlet box. Mark two points on the wall at the center of keyhole on the mounting plate.
2. Drill two holes at the marked points and insert the wall anchors.
3. Place the mounting plate over the outlet box and secure it with outlet box screws. Insert the anchor screws into the wall anchor inside the wall and tighten it by screw driver.
4. Install backplate onto the mounting plate, and secure with the screws.
5. Slide the fabric shade over the socket.
6. Install the bulb(not included) into socket.



## ASSEMBLY INSTRUCTION MODEL#BRE-A3631-VG-BF

### Part Number

#### Part Numbers

- A. (1)-Mounting hardware
- B. (1)-Mounting plate
- C. (1)-Backplate L11"xW4-3/8"xH5/8" #XRF3631VGBFBKP11IN
- D. (4)-Screw
- E. (1)-Socket
- F. (1)-Fabric shade #XRF3631SHA6.5IN

