

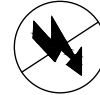
CRYSTORAMA

LIGHTING THE WAY FOR SIXTY YEARS



ASSEMBLY INSTRUCTION MODEL #GAM71003AG

WARNING:

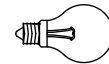


Electrical Danger



Turn Power Off

All electrical components must be installed by a licensed electrician in accordance with the National Electric Code and the appropriate local electrical codes.



You will need 1- Medium Base Bulb
40 Watts recommended 60 Watts Max.

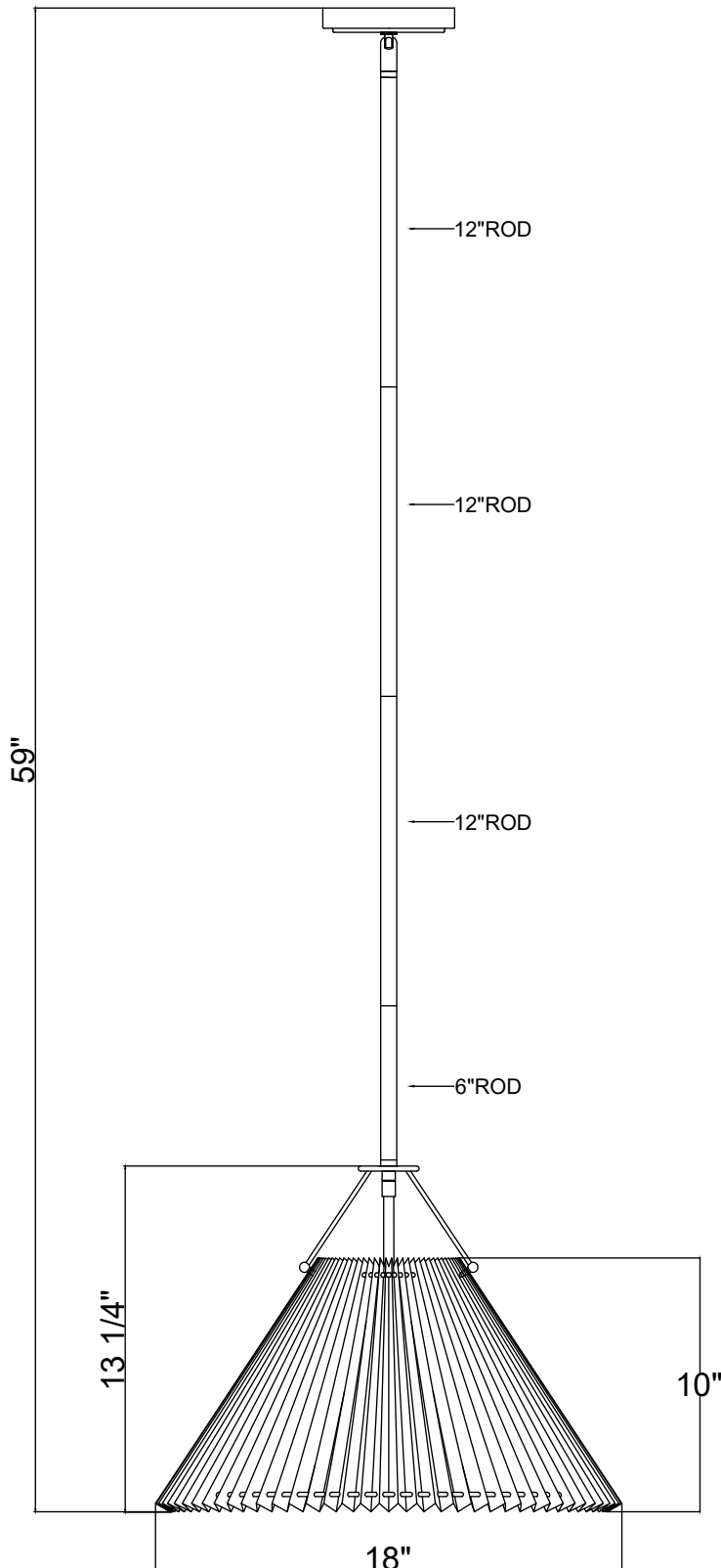
USE LED BULBS FOR EXTENDED USE

The fixture is Dry rated

HOW TO INSTALL:

Place the fixture parts on a soft cloth-covered platform before installation of fixture.

1. Decide the preferred hanging height and choose the correct length of rods needed.
2. Feed the wire through the rods and screw them together. Screw one end of the rod assembly onto the swivel on the canopy.
3. Install the mounting plate onto the outlet box.
4. Raise the fixture up to the ceiling and do the wire connections. Secure the canopy with the screws.
5. Screw the shade assembly onto the other end of the rod assembly



WARNING: This product can expose you to Lead, which is known to the State of California to cause cancer and/or birth defects or reproductive harm. For more information go to www.p65warnings.ca.gov

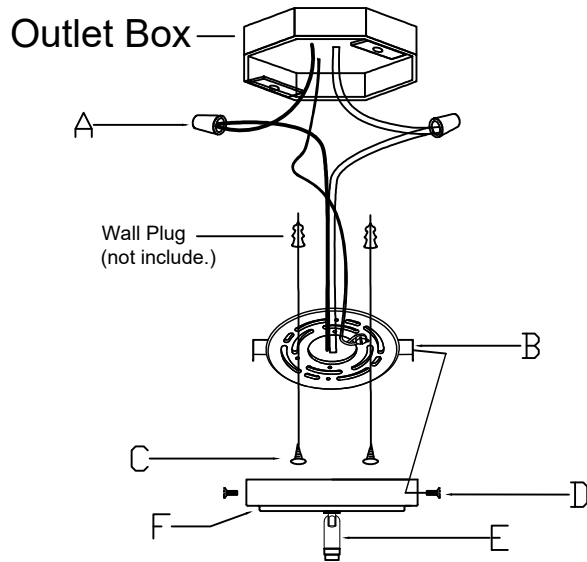
CRYSTORAMA

LIGHTING THE WAY FOR SIXTY YEARS



ASSEMBLY INSTRUCTION MODEL #GAM71003AG

Part Number



Part Numbers

- A. (2)-Wire Connector
- B. (1)-Mounting plate
- C. (2)-Mounting Screw
- D. (2)-Screw
- E. (1)-Swivel
- F. (1)-Canopy; W5"xH1 " ; with 2 side holes; XSN71003AGCAN5IN
- G. (1)-H6" ROD; XSN71003AGROD6IN
- H. (3)-H12" ROD; XSN71003AGROD12IN
- I. (1)-Shade assembly ; H10"; XSN71003AGSHA18IN

