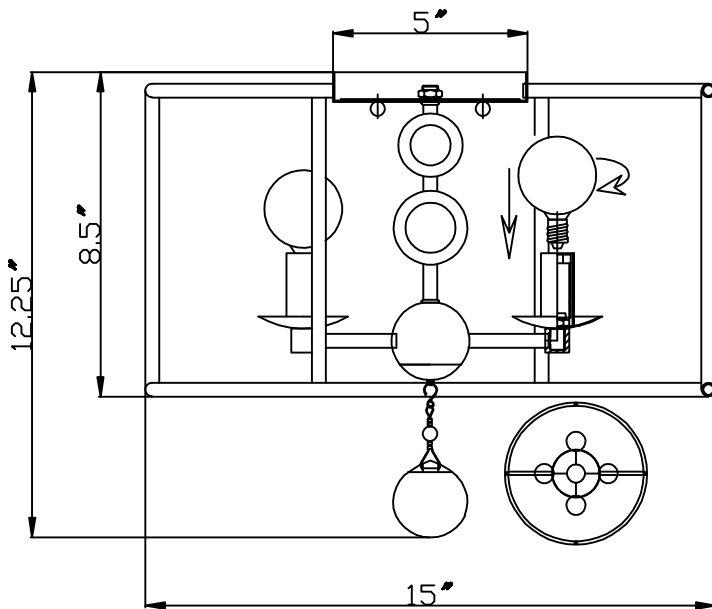


CRYSTORAMA

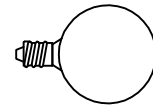
LIGHTING THE WAY FOR SIXTY YEARS



ASSEMBLY INSTRUCTION MODEL # 9267-EB



All electrical components must be installed by a licensed electrician in accordance with the National Electric Code and the appropriate local electrical codes.

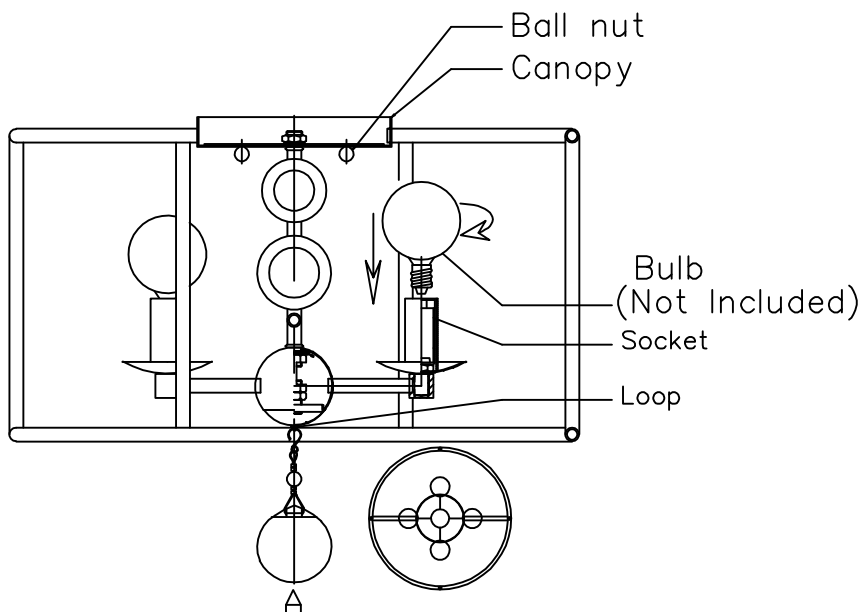


You will need 4 -Candelabra Bulb

40 Watts Recommended 60 Watts Max.

USE LED BULBS FOR EXTENDED USE

THIS FIXTURE IS DAMP RATED



How to Install

1. Attach the canopy onto ceiling junction box and secure it with ball nut.
2. Install the bulb onto the socket (not included).
3. Hang the crystal drop to the loop.

Crystal Key

- A. 1 Piece.(1)10mm ball+50mm ball.

A = (1X50mm Ball+10mm Ball)X1PC

WARNING: This product can expose you to Lead, which is known to the State of California to cause cancer and/or birth defects or reproductive harm. For more information go to www.P65Warnings.ca.gov.

CRYSTORAMA

LIGHTING THE WAY FOR SIXTY YEARS

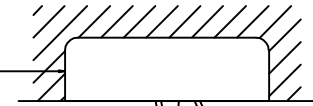


Crystorama.com

PART NUMBER MODEL # 9267-EB

Part Number

Outlet box



- A. (1) - Mounting Hardware
- B. (1) - Canopy(W5",H0.75")#XRE9267EBCAN5IN
- C. (2) - Ball Nut #XRE9267EBBANUT
- D. (4) - Bulb(Not included)
- E. (4) - Candle sleeves(W0.25",H2") #XRE9267EBCDL2IN
- F. (1) - Loop
- G. (1) - Crystal A #XRE9267CRYSTALA

