

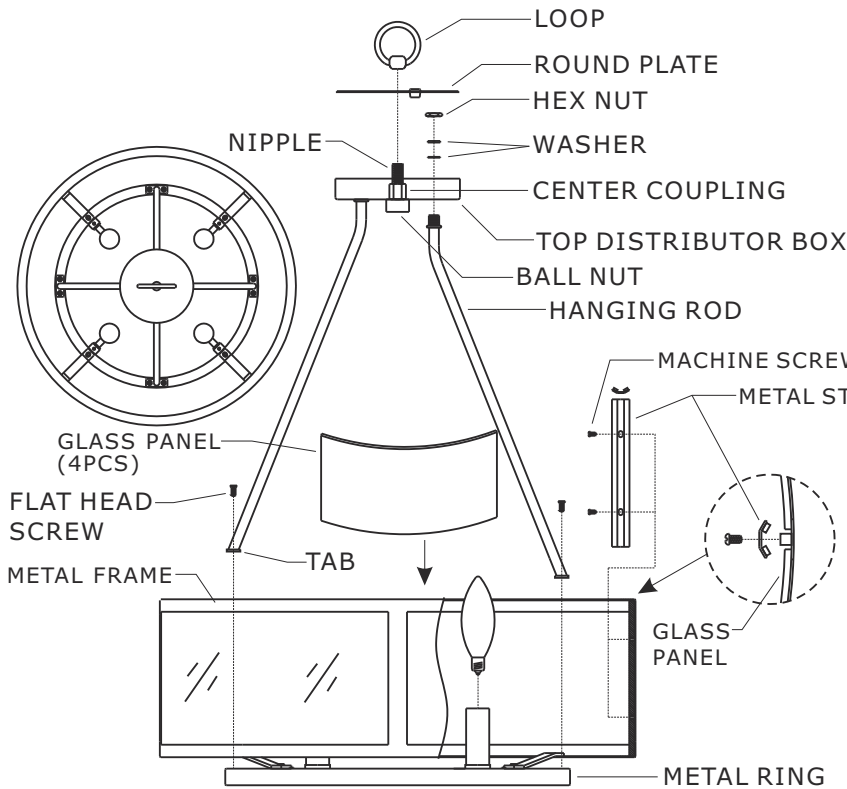
# CRYSTORAMA

LIGHTING THE WAY FOR SIXTY YEARS



Crystorama.com

## ASSEMBLY INSTRUCTION MODEL#BRY-8004-BF



All electrical components must be installed by a licensed electrician in accordance with the National Electric Code and the appropriate local electrical codes.



You will need 4- Candelabra Base Bulb  
40 Watts Recommended 60 Watts Max.  
USE LED BULBS FOR EXTENDED USE  
This fixture is Damp rated

### How to install

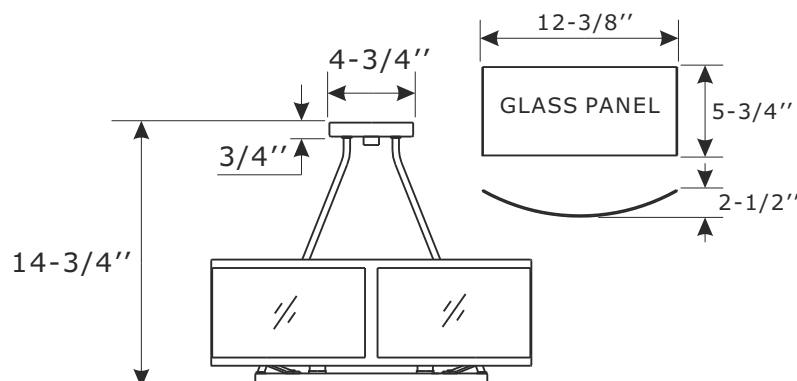
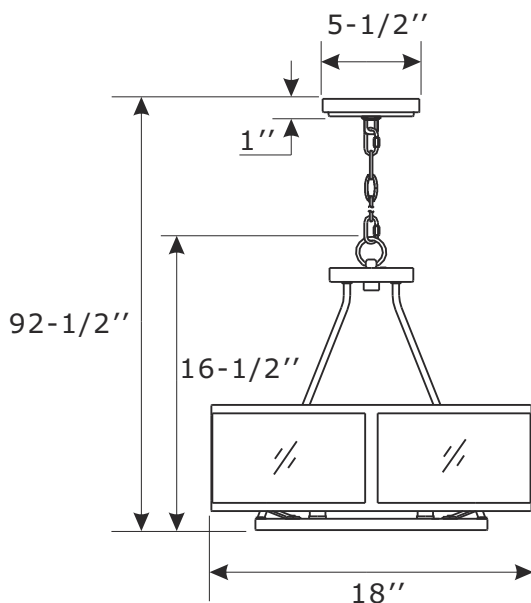
- Two people are recommended for this step. Place the metal frame on a soft cloth covered platform and align the center of a piece of glass with the center of any cut-out on the frame. The left and right side of the glass should be hidden by the vertical bars of the metal frame. Repeat the alignment with another glass on any adjacent cut-out on the frame. While holding the glass, align the holes on a metal strap with the holes on the vertical bar that is between the two chosen cut-outs. Secure the metal strap using machine screws. To avoid breaking the glass, do not over tighten the screws. Repeat for the two remaining glass.
- Install the hanging rod onto the top distributor box. Secure them with the washer and hex nut. Repeat for all hanging rods.
- Spread the hanging rods out equally and align the holes at the tab of hanging rod with holes in the metal ring. Secure the hanging rods with flat head screws. Now the nuts inside the top distributor box can be tightened.

### For hanging:

- Slip the round plate over the nipple on the top distributor box, and secure with the loop.
- Determine the preferred hanging height and adjust to the chain required.
- Install the fixture onto outlet box.
- Install the bulb(not included) into the socket.

### For ceiling:

- Remove the loop and round plate.
- Loose the center coupling from the top distributor box assembly, disassembly the nipple.
- Thread the hex nut onto the nipple so that five threads are exposed above the hex nut. Insert the lock washer and thread the nipple into the mounting bar, then secure with the hex nut.
- Secure the mounting bar to outlet box with the outlet box screws.
- Install the fixture onto the mounting bar, and secure with the hex nut and ball nut.
- Install the bulb(not included) into the socket.



**WARNING:** This product can expose you to Lead which is known to the state of California to cause cancer and/or birth defects or reproductive harm. For more information go to [www.P65Warnings.ca.gov](http://www.P65Warnings.ca.gov)

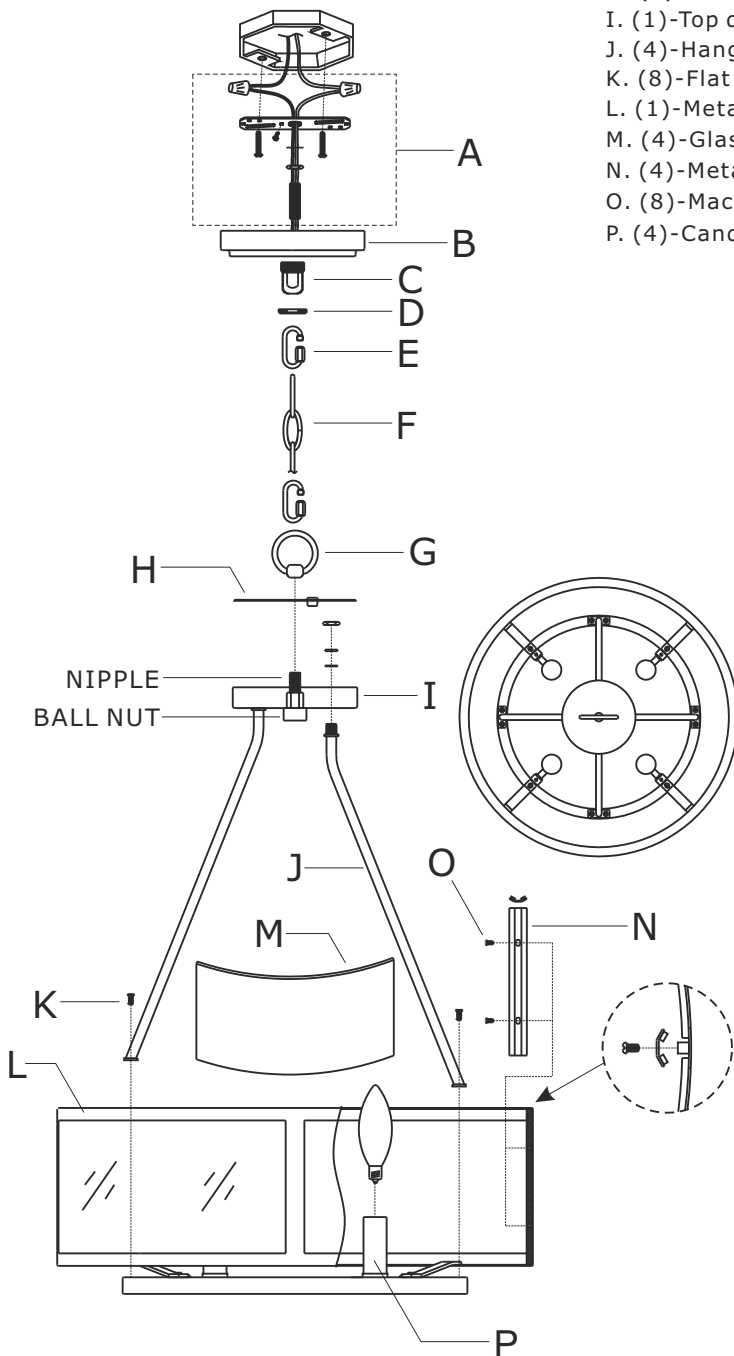


## Part Number

### Part Numbers

- A. (1)-Mounting hardware
- B. (1)-Canopy W5-1/2"xH1" #XRF8004BFCAN5.5IN
- C. (1)-Collar loop
- D. (1)-Collar ring
- E. (2)-Quick link
- F. (1)-Chain-L72", 3.8MM thick #XRF8004BFCHA3.8MM
- G. (1)-Loop #XRF8004BFLOOP
- H. (1)-Round plate
- I. (1)-Top distributor box
- J. (4)-Hanging rod L14-1/2" #XRF8004BFHROD14.5IN
- K. (8)-Flat head screw
- L. (1)-Metal frame
- M. (4)-Glass panel L12-3/8"xH5-3/4" #XRF8004GLA12.375IN
- N. (4)-Metal strap
- O. (8)-Machine screw
- P. (4)-Candle sleeve W7/8"xL2-1/4"

### FOR HANGING:



### FOR CEILING:

