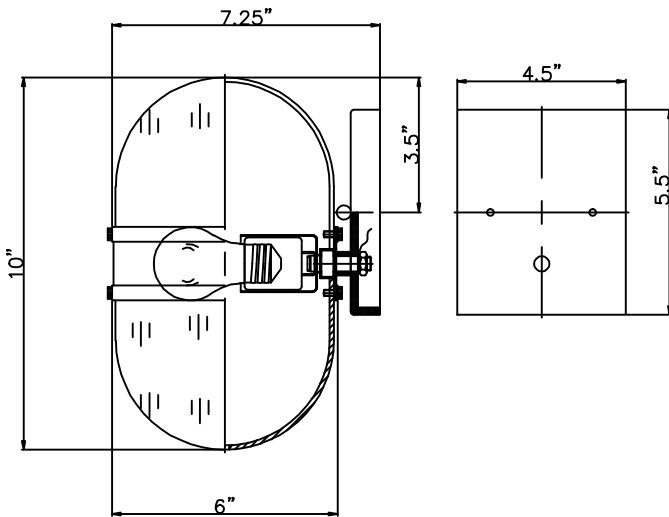


CRYSTORAMA

LIGHTING THE WAY FOR SIXTY YEARS



ASSEMBLY INSTRUCTION MODEL #CAP-8501-MK-TG

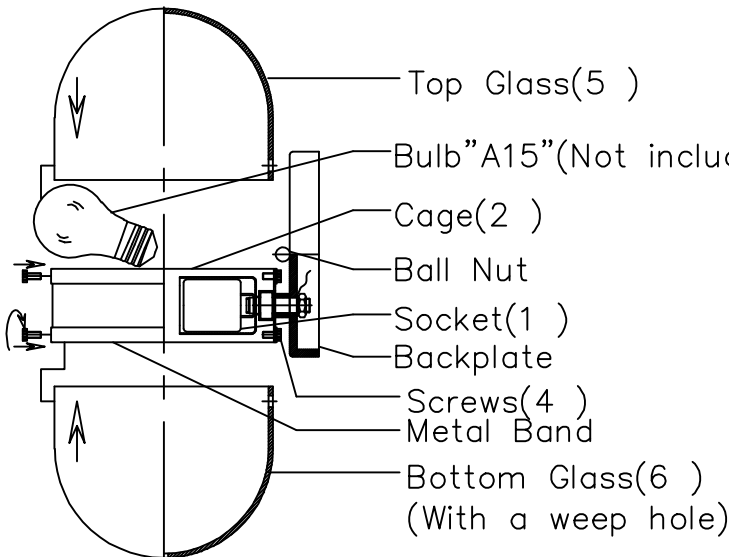


All electrical components must be installed by a licensed electrician in accordance with the National Electric Code and the appropriate local electrical codes.



You will need 1 - Med. A15 Bulb
60 Watts Recommended

USE LED BULBS FOR EXTENDED USE
California T24 JA8-2016 Qualified: Satco (S9612); 10.5 watt LED Medium Base recommended. Bulb not included



How to Install

1. To install glass, separate the Cage (2), by removing the Screws (4).
2. Install the bulb (3) to the socket (1).
3. Connect the Glass (5) and the Cage (2), by screwing in Screws (4) to secure cage.
4. The Backplate of the fixture can now be mounted to the wall by following instruction Drawing (1).

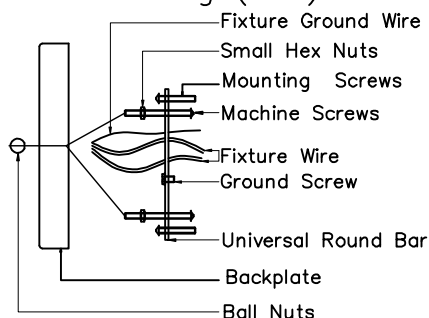
Replacement Glass Installation:

1. Follow instructions # 1 and # 3 above to install new glass. Complete by connecting the Cage (2) and the Glass (5) by screwing in Screws (4) to secure cage.

Bulb replacement:

1. Separate the Glass (5) and the Cage (2), by removing Screws (4).
2. Install the bulb (3) into the socket
3. Complete by connecting the Glass (5) and the Cage (2) by screwing in Screws (4) to secure cage.

Drawing (1)



After securing fixture to the wall it is recommended that the gap between the wall and the backplate be sealed on the top and both sides, with a good quality waterproof caulk or silicone sealant (NOT INCLUDED)



WARNING: This product can expose you to Lead, which is known to the State of California to cause cancer and/or birth defects or reproductive harm. For more information go to www.P65Warnings.ca.gov

CRYSTORAMA

LIGHTING THE WAY FOR SIXTY YEARS

PART NUMBER MODEL #CAP-8501-MK-TG

Part Number

Part Numbers

A. (1)-Mounting hardware

B. (1)-Top Glass; $\phi 5.75 \times H 4.5$; XN08501TOPGLA5.75IN

C. (1)-Bulb "A15" (Not Included)

D. (1)-Cage

E. (2)-Ball Nut; XN08501MKBANUT

F. (1)-Socket

G. (1)-Backplate; $L 5.5 \times W 5.5 \times H 0.75$; XN08501MKBKP5.51IN

H. (4)-Screws

I. (2)-Metal Band

J. (1)-Bottom Glass; $\phi 5.75 \times H 4.5$; XN08501BOTGLA5.75IN

