

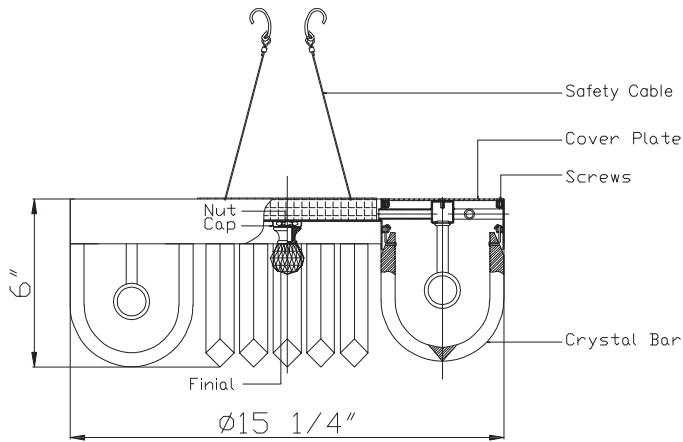
CRYSTORAMA



Crystorama.com

LIGHTING THE WAY FOR SIXTY YEARS

ASSEMBLY INSTRUCTION MODEL #ALI-B2005-CZ

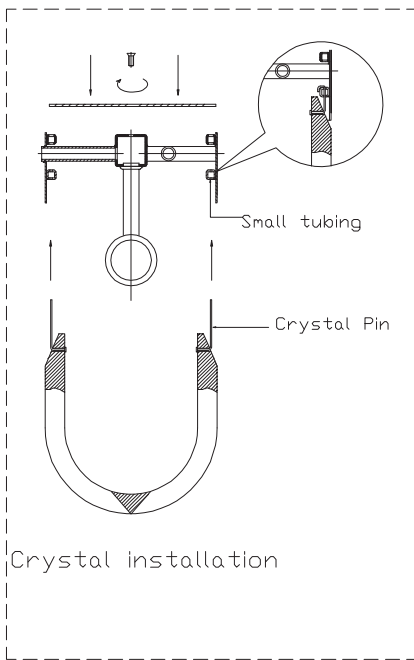


All electrical components must be installed by a licensed electrician in accordance with the National Electric Code and the appropriate local electrical codes.



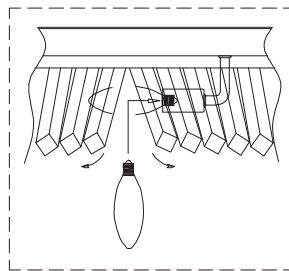
You will need 5 - Cand. Bulb
40 Watts Recommended
60 Watts Max

USE LED BULBS FOR EXTENDED USE
This fixture is DAMP rated



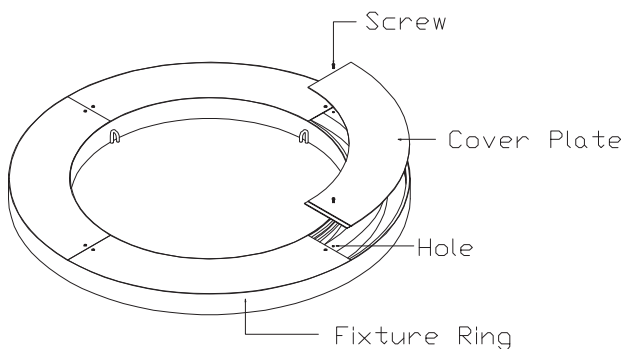
Changing bulb

Gently spread two crystal bars apart, to access the bulb sockets.



How to Install

1. Attach the mounting strap onto the outlet box using the machine screws.
2. Hook the fixture frame onto the mounting strap using the safety cable.
3. Take the cover plate on the fixture ring off by removing the screws.
4. Pass the crystal pin through the crystal bar and raise it up and let the pin pass through the small tubing inside the ring then bend the pin over to secure the crystal. See illustration.
5. Install the bulb and put the cover plate back and secure it with screws.
6. Attach the frame onto the outlet box and secure it with the hex nut.
7. Put the cap over the nut and secure it with the crystal finial. Do not over tighten the finial to avoid breakage.

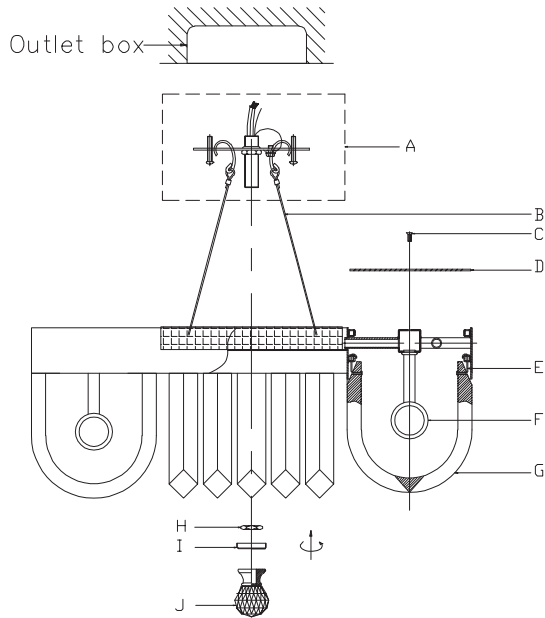


WARNING: This product can expose you to Lead, which is known to the State of California to cause cancer and/or birth defects or reproductive harm. For more information go to www.P65Warnings.ca.gov



LIGHTING THE WAY FOR SIXTY YEARS

PART NUMBER MODEL #ALI-B2005-CZ



Part Number

Part Numbers

- A. (1)–Mounting hardware;
- B. (2) Safety cable
- C. (6)–Screw;
- D. (3)–Cover Plate; 4.25"X13";
- E. (72)–Pin;
- F. (5)–Socket;
- G. (36)–Crystal Bar;
- H. (1)–Nut;
- I. (1)–Cap;
- J. (1)–Finial; #XAR2005CZFIN

