

CRYSTORAMA

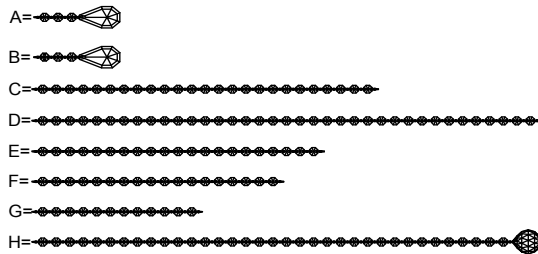
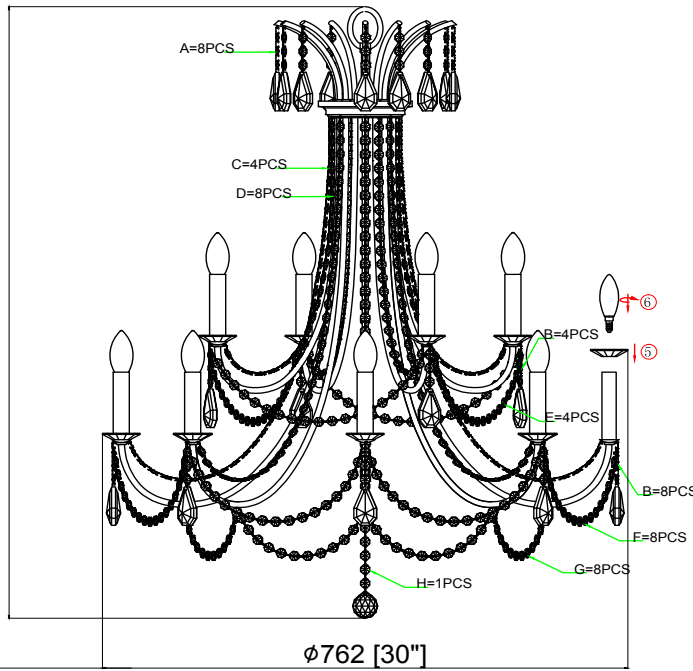
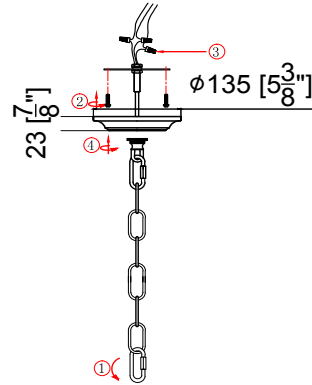
LIGHTING THE WAY FOR SIXTY YEARS



ASSEMBLY INSTRUCTION MODEL # KAR-90912-AG-CL-MWP

2900 [114"]

1016 [40"]



All electrical components must be installed by a licensed electrician in accordance with the National Electric Code and the appropriate local electrical codes.



You will need 12 Candelabra Base Bulb 60 Watts Recommended 60 Watts Max. USE LED BULBS FOR EXTENDED USE(This fixture is Dry rated)

How to Install

1. Please place the fixture parts on a soft-cloth covered platform before installation. Do not remove the packaging on the arms until after installation is completed.
2. Spread out the arms equally. Open the quick link at the end of the chain and fasten the chain to the fixture loop. Fasten mounting hardware to junction box with the machine screws. After the wires are connected, screw the screw collar loop onto the nipple. Place the canopy up against the ceiling and secure by tightening the screw collar loop ring.
3. After safely attaching the fixture onto the junction box, slide the bobèche over the candle sleeve, then install the bulbs and proceed to connecting the power.
4. When you begin to dress the fixture, start with package labeled(A).
5. IMPORTANT: Apply crystal sets in alphabetical order.

Crystal sets

- A. 12sets 3*14mm+1*63mm drop
- B. 12sets 3*14mm+1*63mm drop
- C. 4sets 25*14mm crystals
- D. 8sets 37*14mm crystals
- E. 4sets 21*14mm crystals
- F. 8sets 18*14mm crystals
- G. 8sets 12*14mm crystals
- H. 1set 35*14mm+1*40mm drop

WARNING: This product can expose you to Lead, which is known to the State of California to cause cancer and/or birth defects or reproductive harm. For more information go to www.P65Warnings.ca.gov

CRYSTORAMA

LIGHTING THE WAY FOR SIXTY YEARS



Crystorama.com

PART NUMBER MODEL KAR-90912-AG-CL-MWP

Part Number

Part Numbers

- A. (1)-Mounting Hardware
(XBN90903AGCAN5.375IN)
- B. (1)-Canopy, D5 3/8 X H 7/8"
- C. (1)-Collar loop
- D. (1)-Chain, L72"
(XBN90903AGCHA4MM)
- E. (12)-Scroll arms, L6 1/4"
- F. (12)-Candle sleeve, L4 3/8"
(XBN90908AGCDL4.125IN)
- G. (12)-Crystal Bobeche, D 2 3/8"
(XBN90902BOB2.375IN)
- H. (1)-Fixture loop

