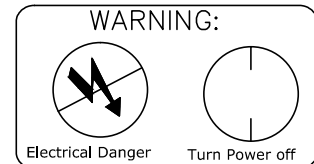


CRYSTORAMA

LIGHTING THE WAY FOR SIXTY YEARS



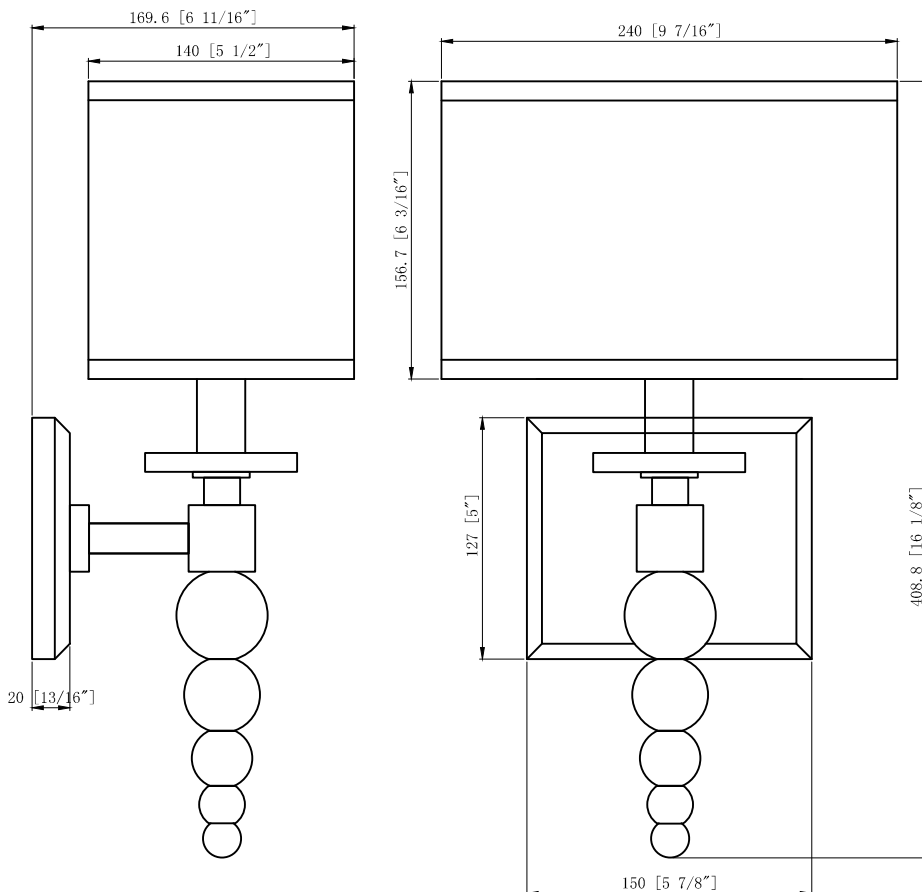
ASSEMBLY INSTRUCTION MODEL #CLO-8892-BN



All electrical components must be installed by a licensed electrician in accordance with the National Electric Code and the appropriate local electrical codes.



You will need 1-Cand.BULB
60 watts Max Bulb not included
USE LED BULBS FOR EXTENDED USE
THIS FIXTURE IS DRY RATED



How to install :

1. Attach the fixture onto the outlet box in the wall.
2. Install the recommended bulbs (not included) into each socket.
3. Put the shade over the candle sleeve.

WARNING: This product can expose you to Lead which is known to the state of California to cause cancer and/or birth defects or reproductive harm. For more information go to www.P65Warnings.ca.gov

CRYSTORAMA

LIGHTING THE WAY FOR SIXTY YEARS



Crystorama.com

PART NUMBER MODEL #CLO-8892-BN

Part Number

Part Numbers

- A. Mounting Hardware
 - (1) Mounting Plate
 - (1) Backplate; 6"x5"
 - (3) Wire Nut
 - (3) Outlet Box Screws
 - (4) Anchor Screw
- B. (1) Shade; 9.5"x5.5"x6.2"h; XME8892BNSHA9.5IN
- C. (1) Candle Sleeve; Ø1"x3.2"h; XME8892BNCDL3.2IN
- D. (1) Crystal ball; Ø.89"
- E. (1) Crystal ball; Ø.58"
- F. (1) Crystal ball; Ø.26"
- G. (1) Crystal ball; Ø.95"
- H. (1) Metal Finial; Ø0.79"; XME8892BNFIN

