

CRYSTORAMA

LIGHTING THE WAY FOR SIXTY YEARS

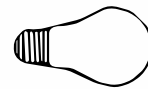


Crystorama.com

ASSEMBLY INSTRUCTION MODEL #FUL-905-GA



All electrical components must be installed by a licensed electrician in accordance with the National Electric Code and the appropriate local electrical codes.



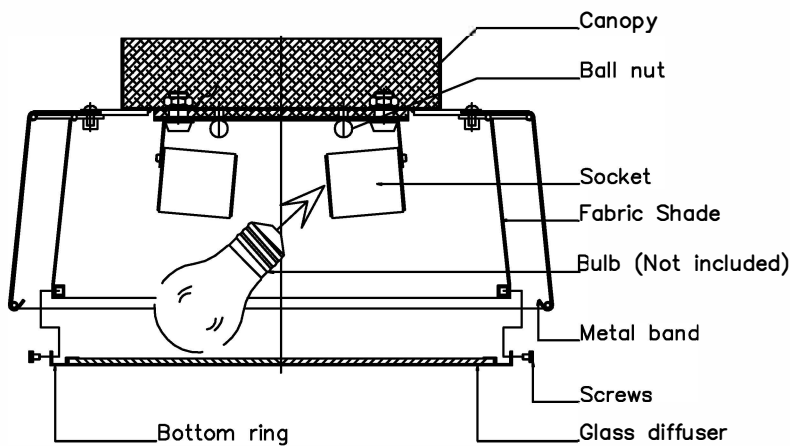
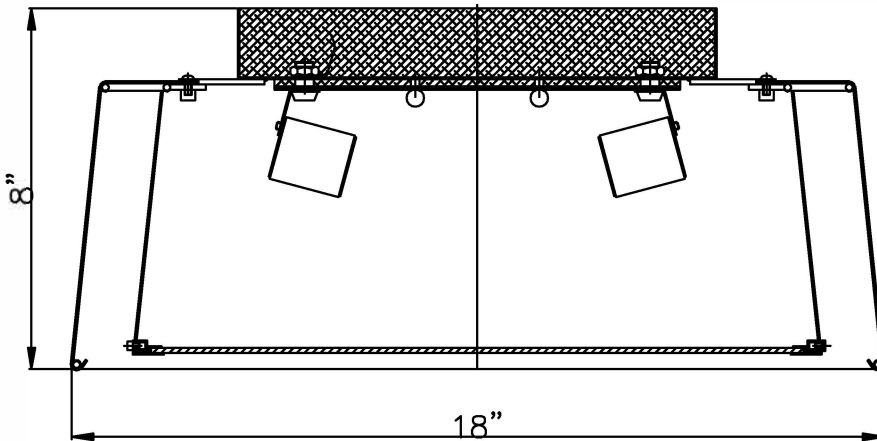
You will need 3 - Med.Bulb

40 Watts Recommended

60 Watts Max

USE LED BULBS FOR EXTENDED USE

This fixture is dry rated



How to Install

1. Attach the canopy onto ceiling junction box and secure it with ball nut.
2. Install the bulb onto the socket.
3. Put the bottom ring over the fabric shade and secure it with screws.

Bulb replacement

1. Take the bottom ring off by removing screws.



WARNING: This product can expose you to Lead, which is known to the State of California to cause cancer and/or birth defects or reproductive harm. For more information go to www.P65Warnings.ca.gov

CRYSTORAMA

LIGHTING THE WAY FOR SIXTY YEARS



Crystorama.com

PART NUMBER MODEL #FUL-905-GA

Part Number

Part Numbers

- A. (1)—Mounting hardware
- B. (1)—Canopy; W10.75"XH1.25" #XAR905GACAN10.75IN
- C. (3)—Socket
- D. (1)—Fabric Shade; W18"XH6.25" #XAR905SHA18IN
- E. (3)—Bulb (Not included)
- F. (4)—Metal band #XAR905GABAND
- G. (3)—Screws
- H. (1)—Glass diffuser; ϕ 14.5" #XAR905DIF14.5IN
- I. (1)—Bottom ring; ϕ 15.25" #XAR905GARING
- J. (2)—Ball Nut #XAR903GABANUT

