

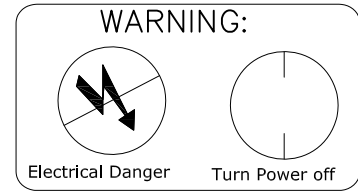
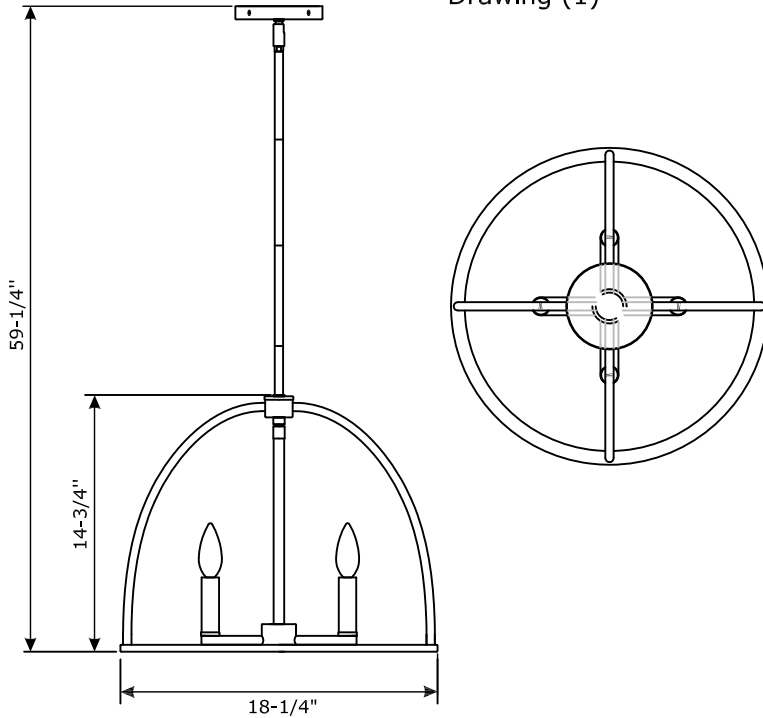
CRYSTORAMA

LIGHTING THE WAY FOR SIXTY YEARS



ASSEMBLY INSTRUCTION MODEL #ABB-3004-BK

Drawing (1)



All electrical components must be installed by a licensed electrician in accordance with the National Electric Code and the appropriate local electrical codes.



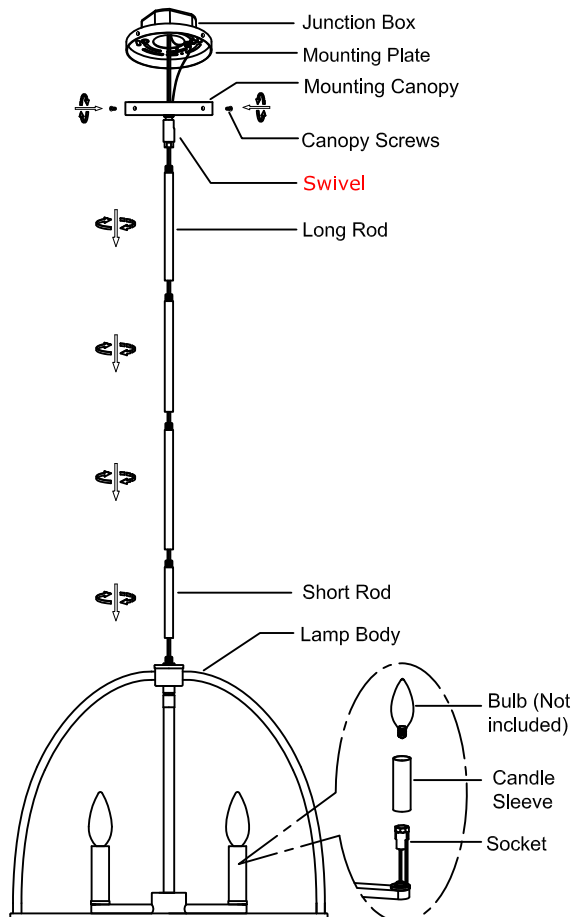
You will need 4-Candelabra
40 Watts Recommended 60 Watts Max.
USE LED BULBS FOR EXTENDED USE

THIS FIXTURE IS DRY RATED

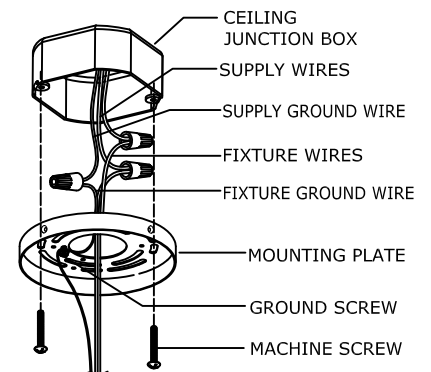
How to install for hanging:

Please place the fixture frame on a soft cloth covered table before the installation.

1. Determine the desired hanging height and choose the correct length of rod.
2. Feed the fixture wires through the rods and canopy. Afterwards, connect the rods together then screw the swivel onto the top of the upper-most rod.
3. The canopy of the fixture can now be mounted to the ceiling by following instruction **Drawing 2**.
4. Choose either the white or gold candle sleeves and place it over the socket. Install the Bulb into the socket.



Drawing (2)



WARNING: This product can expose you to Lead which is known to the state of California to cause cancer and/or birth defects or reproductive harm. For more information go to www.P65Warnings.ca.gov

CRYSTORAMA

LIGHTING THE WAY FOR SIXTY YEARS



ASSEMBLY INSTRUCTION MODEL #ABB-3004-BK

Part Number

Part Numbers

- A. (1)-Mounting hardware
- B. (1)-Canopy W5"x H0.75" (XFW3003BKCAN5IN)
- C. (3)-Canopy Screw W0.16"x H0.48"
- D. (3)-Long Rod W1/2"x H12" (XFW3003BKROD12IN)
- E. (1)-Short Rod W1/2"x H6" (XFW3003BKROD6IN)
- F. (1)-Lamp Body
- G. (4)-Bulb (Not included)
- H. (4)-**White** Metal Candlesleeve W1"x H3.35" (XFW3004**WH**CDL3.35IN)
(4)-**Gold** Metal Candlesleeve W1"x H3.35" (XFW3004**VG**CDL3.35IN)

