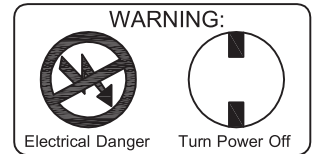
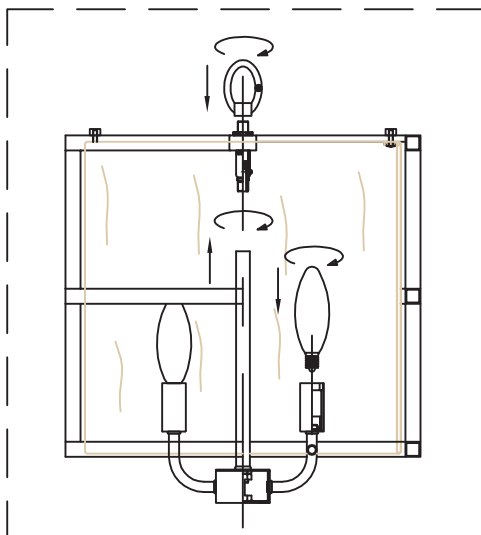
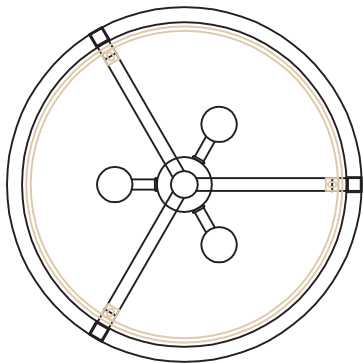
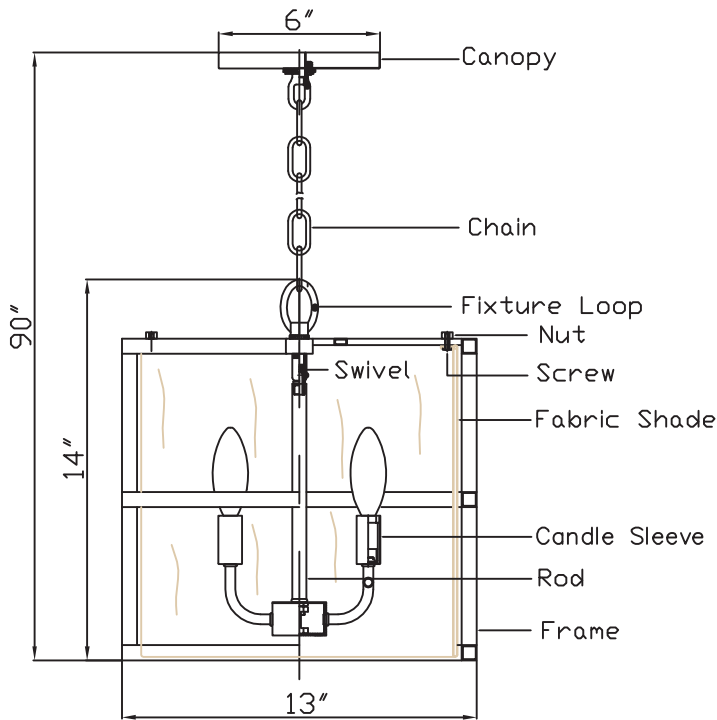


CRYSTORAMA

LIGHTING THE WAY FOR SIXTY YEARS

Crystorama.com

ASSEMBLY INSTRUCTION MODEL #9593-LG



WARNING:
All electrical components must be installed by a licensed electrician in accordance with the National Electric Code and the appropriate local electrical codes.



You will need 3 - Cand.Bulb

40 Watts Recommended

60 Watts Max

USE LED BULBS FOR EXTENDED USE

The fixture is Dry rated

How to Install

1. Install the center rod to the swivel.
2. Install the bulbs(not included)to the socket.
3. Attach the fixture to the chain using the fixture loop then mount the canopy to the mounting plate.



WARNING: This product can expose you to Lead, which is known to the State of California to cause cancer and/or birth defects or reproductive harm. For more information go to www.P65Warnings.ca.gov

CRYSTORAMA

LIGHTING THE WAY FOR SIXTY YEARS

Crystorama.com

PART NUMBER MODEL #9593-LG

Part Number

Part Numbers

- A. (1)—Mounting hardware;
- B. (1)—Canopy; W6"XH0.6"; XAR9593LGCAN6IN
- C. (1)—Chain; 72"; 4.0mm; XAR9593LGCHA4MM
- D. (1)—Fixture Loop;
- E. (3)—Nut;
- F. (3)—Screw;
- G. (1)—Fabric Shade; ϕ 11.5"X11.5"; XAR9593LGSHA11.5IN
- H. (3)—Candle Sleeve; ϕ 0.75"X1.75"; XAR9593LGCDDL1.75IN
- I. (1)—Center stem; ϕ 0.5"X8"; XAR9593LGCSTEM8IN
- J. (1)—Frame;
- K. (1)—Swivel; XAR9593LGSWI

