



ASSEMBLY INSTRUCTION MODEL #2242-PN

WARNING:



Electrical Danger



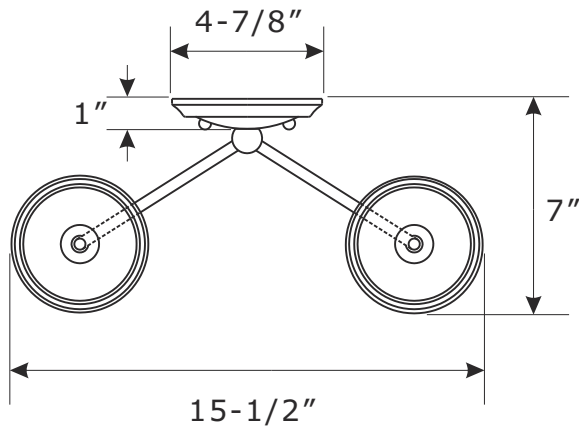
Turn Power off

All electrical components must be installed by a licensed electrician in accordance with the National Electric Code and the appropriate local electrical codes.



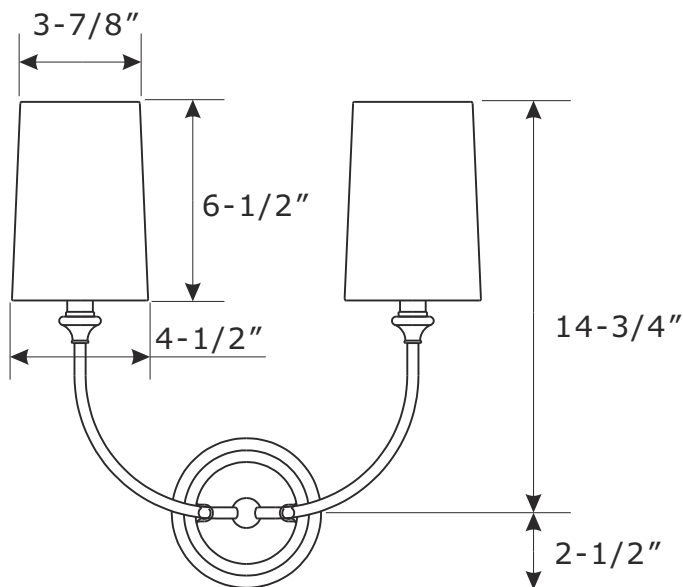
You will need 2- Candelabra Base Bulb
40 Watts Recommended 60 Watts Max.
USE LED BULBS FOR EXTENDED USE
This fixture is Damp rated

TOP VIEW



How to install

1. Thread the mounting screws into the matching holes in the mounting plate. Secure the mounting plate to outlet box with the outlet box screws.
2. Install backplate onto the mounting plate, and secure with the finials.
3. Install the fabric shade onto the candle sleeve.
4. Install the bulb(not included) into the socket.



FRONT VIEW



ASSEMBLY INSTRUCTION MODEL#2242-PN

Part Number

Part Numbers

A. (1)-Mounting hardware

B. (1)-Backplate W4-7/8"xH1" #XRF2242PNBKP5IN

C. (2)-Finial

D(A). (2)-Candle sleeve-DB W7/8"xL3-3/8" #XRF2241PNCDL3.375IN

D(B). (2)-Candle sleeve-WH W7/8"xL3-3/8" #XRF2241WHCDL3.375IN

E. (2)-Fabric shade W4-1/2"xH6-1/2" #XRF2241SHA6.5IN

