

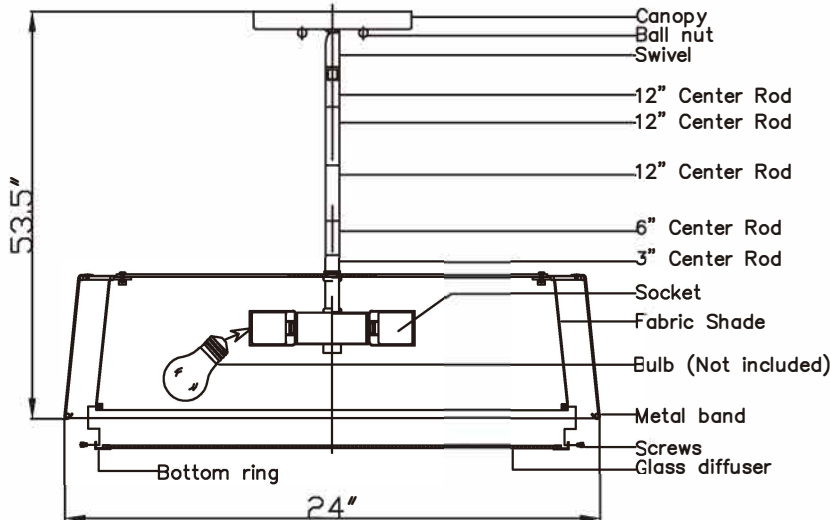
CRYSTORAMA

LIGHTING THE WAY FOR SIXTY YEARS

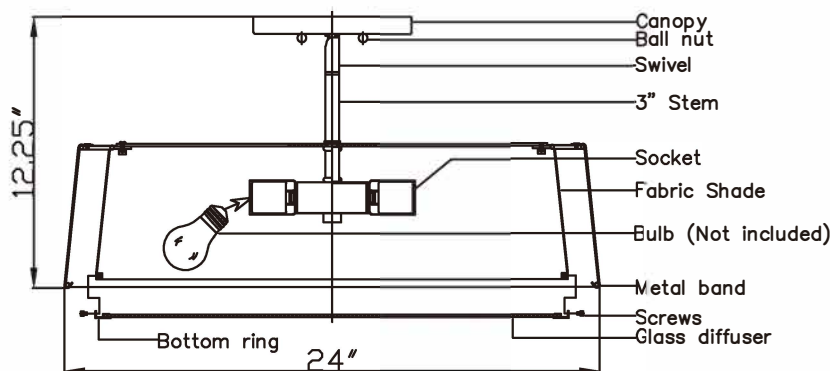


ASSEMBLY INSTRUCTION MODEL #FUL-907-GA

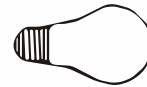
For Hanging



For Ceiling



WARNING:
All electrical components must be installed by a licensed electrician in accordance with the National Electric Code and the appropriate local electrical codes.



You will need 6 - Med.Bulb

40 Watts Recommended

60 Watts Max

USE LED BULBS FOR EXTENDED USE

This fixture is dry rated

How to Install

1. Install the stems onto the top of shade. For ceiling application, install 3" stem only.
2. Attach the canopy onto the stem.
3. Raise the fixture over ceiling junction box and secure it with ball nut.
4. Install the bulb onto socket.
5. Put the bottom ring over the bottom of fabric shade and secure it with screws.

Bulb replacement:

1. Take the bottom ring off to change the bulb for ceiling application.



WARNING: This product can expose you to Lead, which is known to the State of California to cause cancer and/or birth defects or reproductive harm. For more information go to www.P65Warnings.ca.gov

CRYSTORAMA

LIGHTING THE WAY FOR SIXTY YEARS



PART NUMBER MODEL #FUL-907-GA

Part Number

Part Numbers

- A. (1)–Mounting hardware
- B. (1)–Canopy; W7"XH0.75" #XAR906GACAN7IN
- C. (1)–Swivel
- D. (3)–Center Rod; 12" #XAR904GAROD12IN
- E. (1)–Center Rod; 6" #XAR904GAROD6IN
- F. (1)–Center Rod; 3" #XAR907GAROD3IN
- G. (6)–Socket
- H.(1)FabricShade; W24"XH6.25"#XAR907SHA24IN
- I. (6)Bulb (Not included)
- J. (6)–Metal band#XAR907GABAND
- K. (3)–Screws
- L. (1)–Glass diffuser; $\phi 20.5$ " #XAR907DIF20.5IN
- M. (1)–Bottom ring; $\phi 21.25$ " #XAR907GARING
- N. (2)–Ball Nut #XAR903GABANUT

