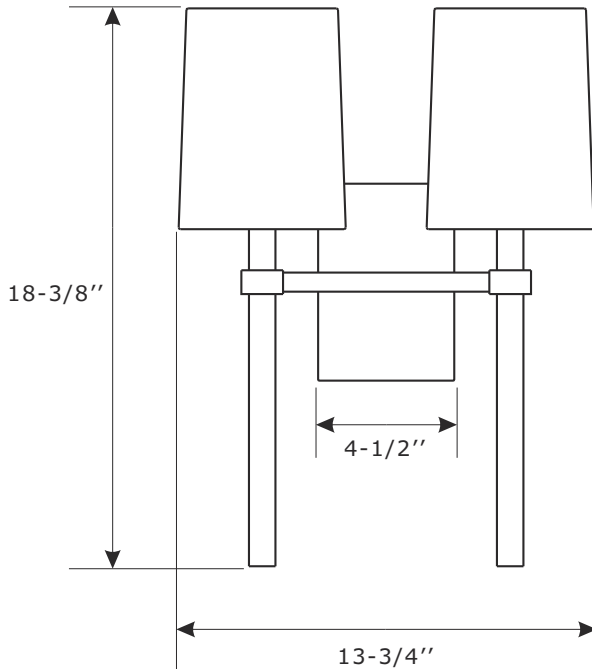




## ASSEMBLY INSTRUCTION MODEL#BRO-452-PN

FRONT VIEW



### WARNING:



Electrical Danger



Turn Power off

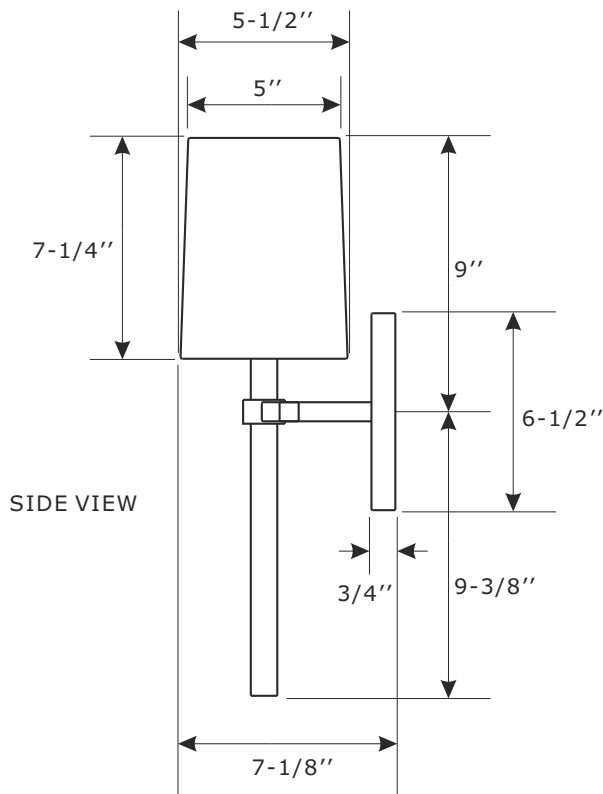
All electrical components must be installed by a licensed electrician in accordance with the National Electric Code and the appropriate local electrical codes.



You will need 2 - Candelabra Base Bulb  
40 Watts Recommended 60 Watts Max.  
USE LED BULBS FOR EXTENDED USE  
This fixture is Damp rated

### How to install

1. Install the mounting plate to the outlet box using two outlet box screws.
2. Install backplate onto the mounting plate, and secure with the screws.
3. Thread the rod into the bottom of socket.
4. Install the fabric shade onto the candle sleeve.
5. Install the bulb(not included) into socket.





## ASSEMBLY INSTRUCTION MODEL#BRO-452-PN

### Part Number

#### Part Numbers

- A. (1)-Mounting hardware
- B. (1)-Mounting plate
- C. (1)-Backplate L6-1/2"xW4-1/2"xH3/4" #XRF452PNBKP4.5IN
- D. (2)-Screw
- E. (2)-Rod W7/8"xH9"
- F. (2)-Candle sleeve W7/8"xH3-3/8" #XRF451PNCDL3.375IN
- G. (2)-Fabric shade #XRF451SHA5.5IN

