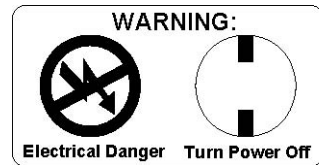
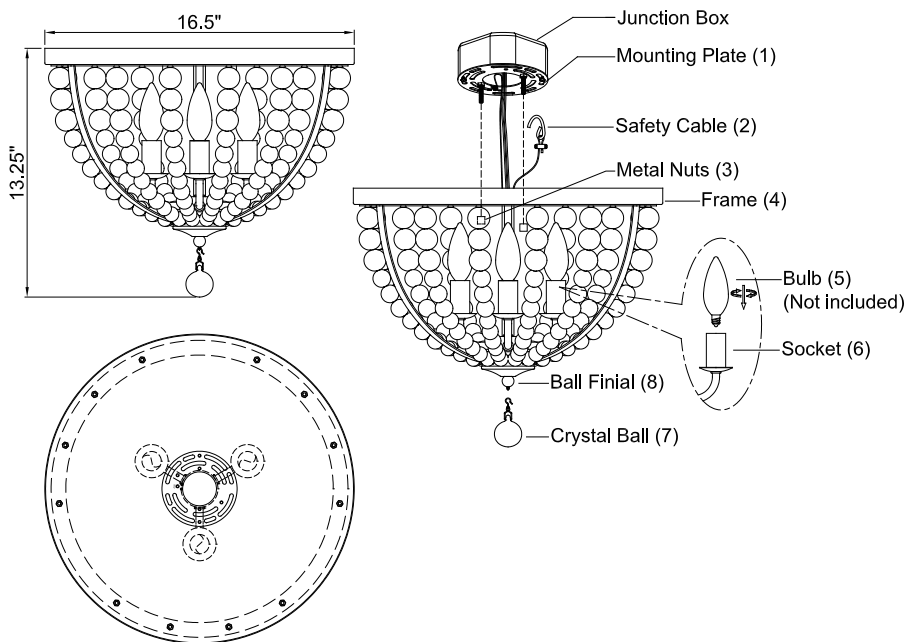


CRYSTORAMA

LIGHTING THE WAY FOR SIXTY YEARS

ASSEMBLY INSTRUCTION MODEL #ROX-A9000-GA

Drawing (1)



All electrical components must be installed by a licensed electrician in accordance with the National Electric Code and the appropriate local electrical codes.



You will need 3-Candelabra

40 Watts Recommended 60 Watts Max

USE LED BULBS FOR EXTENDED USE

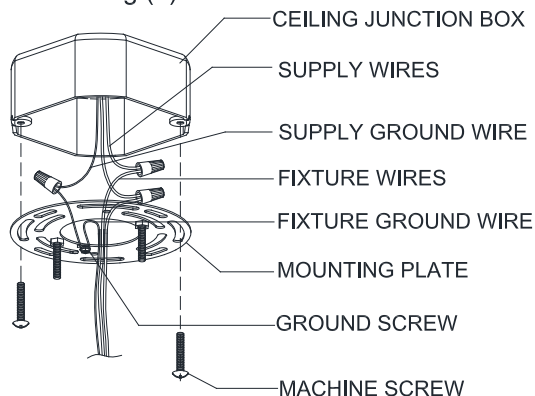
How to Install:

1. Install the Bulb (5) to the Socket (6).
2. The canopy of the fixture can now be mounted to the ceiling by following instruction **Drawing 2**.
3. Raise the Frame (4) to the ceiling and hook the Safety Cable (2) onto the Mounting Plate (1). Now the Lighting Fixture is supported by the Safety Cable (2).
4. Attach the Frame (4) onto the ceiling and secure with the Metal Nuts (3) until tight.
5. Hook the Crystal Ball (7) to the bottom of the Ball Finial (8).

Bulb replacement:

1. Install the Bulb (5) into the Socket (6).

Drawing (2)

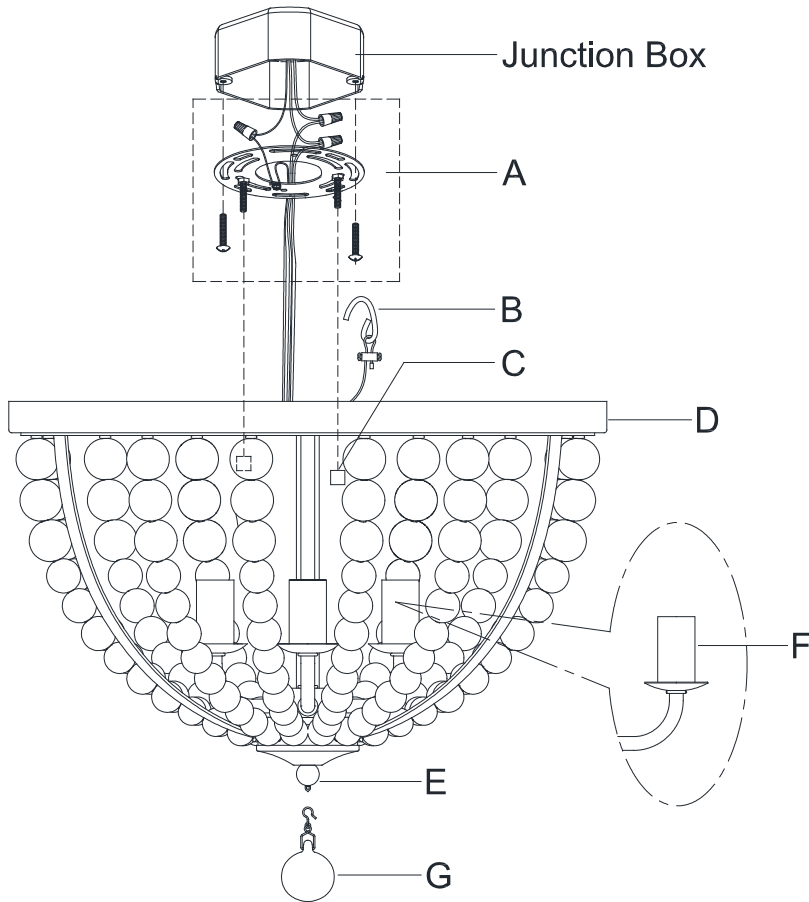


! WARNING: This product can expose you to lead, which is known to the state of California to cause cancer and / or birth defects or reproductive harm. For more information go to www.P65warnings.ca.gov

CRYSTORAMA

LIGHTING THE WAY FOR SIXTY YEARS

ASSEMBLY INSTRUCTION MODEL #ROX-A9000-GA



Part Number

- A. (1) Mounting Hardware
- B. (1) Safety Cable
- C. (2) Metal Nut (XFW9000GANUT)
- D. (1) Frame
- E. (1) Ball Finial (XFW9000GAFIN)
- F. (3) Socket (H2 ")
- G. (1) Crystal Ball; w1.5"x h2.64" (XFW9000GACRY1.5IN)