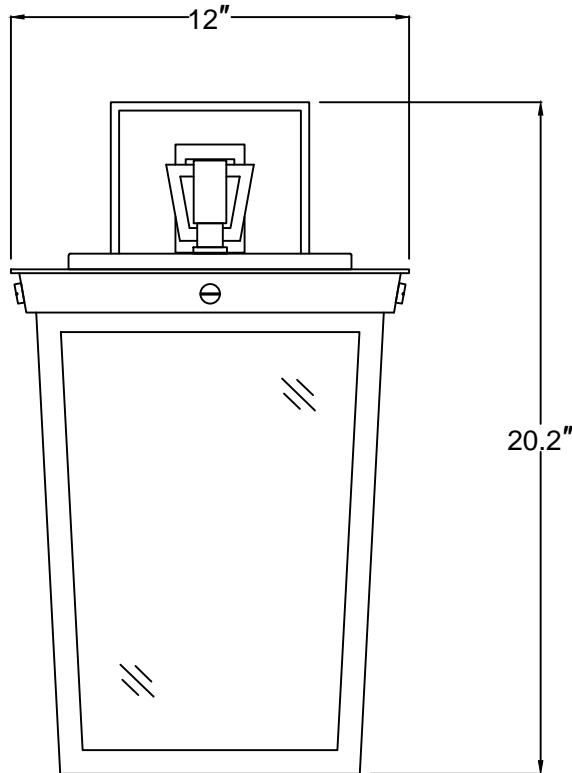


CRYSTORAMA

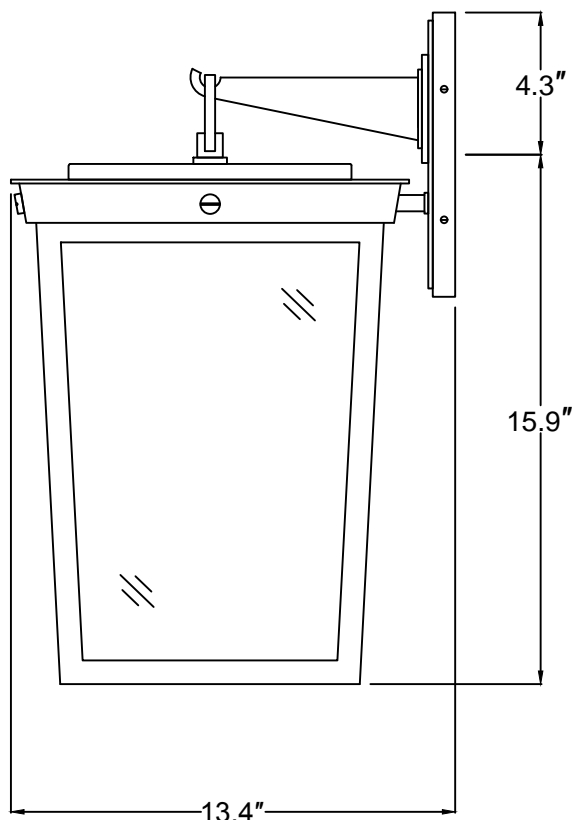
LIGHTING THE WAY FOR SIXTY YEARS

ASSEMBLY INSTRUCTION MODEL #BEL-A8063-GE

Front view



Side view



WARNING:

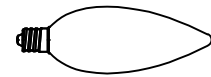


Electrical Danger



Turn Power Off

All electrical components must be installed by a licensed electrician in accordance with the National Electric Code and the appropriate local electrical codes.



You will need 3-Cand.BULB
60 watts Max Bulb not included
USE LED BULBS FOR EXTENDED USE

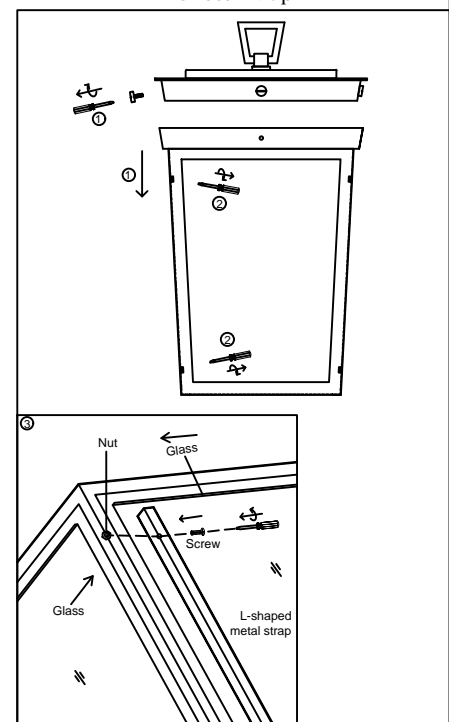
How to Install

1. Attach the fixture to the outlet box.
2. Install the bulb onto the socket.

How to change glass

1. Take the bottom cage down by removing the screws on the top of it.
2. Remove the L-shaped metal strap by unscrewing the screws.
3. If necessary, smooth out the silicone glue along the glass channel, prior to placing in the new glass panel.
4. Put the new glass panel on and secure it with the L-shaped metal strap and screws.

Sketch Map



⚠ WARNING: This product can expose you to Lead, which is known to the State of California to cause cancer and/or birth defects or reproductive harm. For more information go to www.P65Warnings.ca.gov

CRYSTORAMA

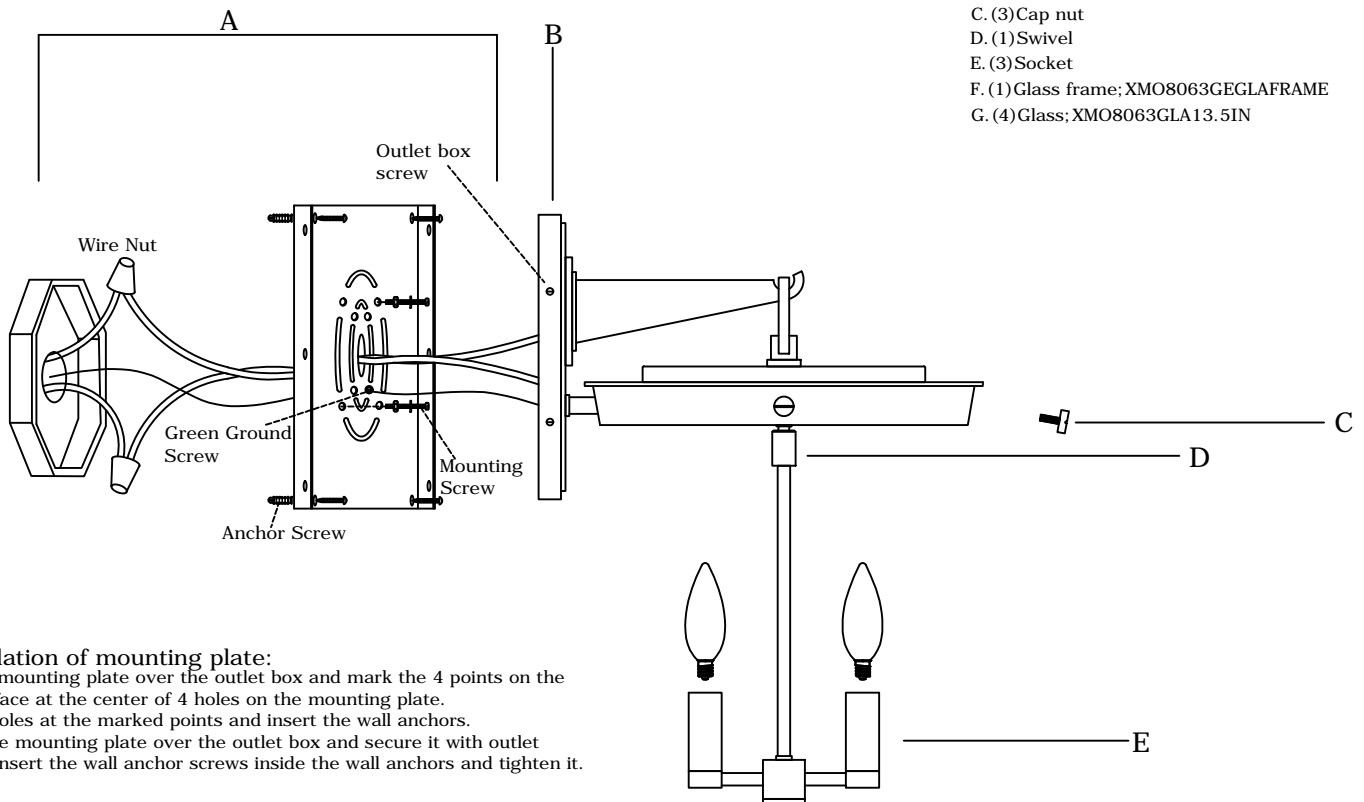
LIGHTING THE WAY FOR SIXTY YEARS

PART NUMBER MODEL #BEL-A8063-GE

Part Number

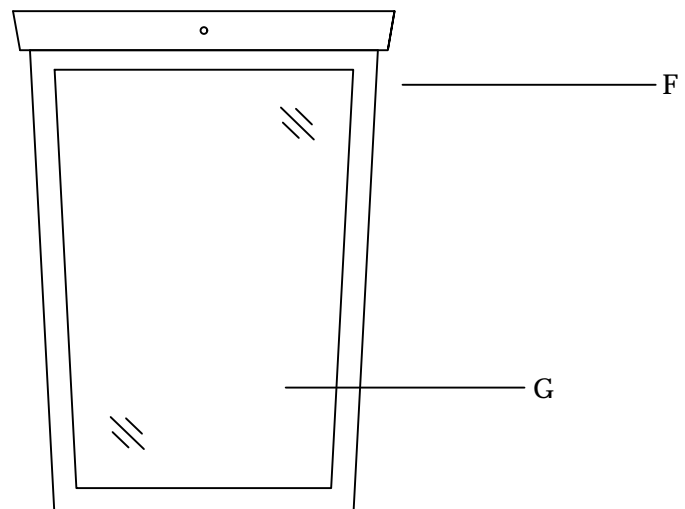
Part Numbers

- A. Mounting Hardware
 - (3) Wire Nut
 - (1) Mounting Plate
 - (4) Anchor Screw
 - (2) Mounting Screw
 - (1) Green Ground Screw
 - (4) Outlet box screw
- B. (1) Backplate; 6"x8.6"x0.8"h;
XMO8063GEBKP8.6IN
- C. (3) Cap nut
- D. (1) Swivel
- E. (3) Socket
- F. (1) Glass frame; XMO8063GEGLAFRAME
- G. (4) Glass; XMO8063GLA13.5IN

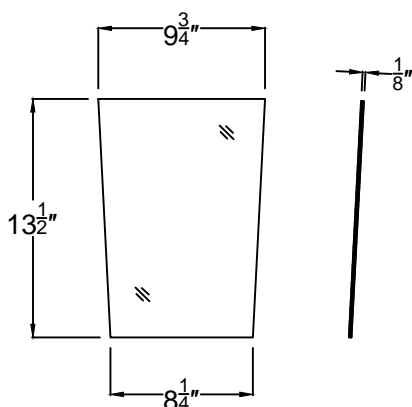





For installation of mounting plate:

1. Put the mounting plate over the outlet box and mark the 4 points on the wall surface at the center of 4 holes on the mounting plate.
2. Drill 4 holes at the marked points and insert the wall anchors.
3. Place the mounting plate over the outlet box and secure it with outlet screws. Insert the wall anchor screws inside the wall anchors and tighten it.



H-Size



		
x4	x2	x3
Anchor Screw	Mounting Screw	Wire Nut