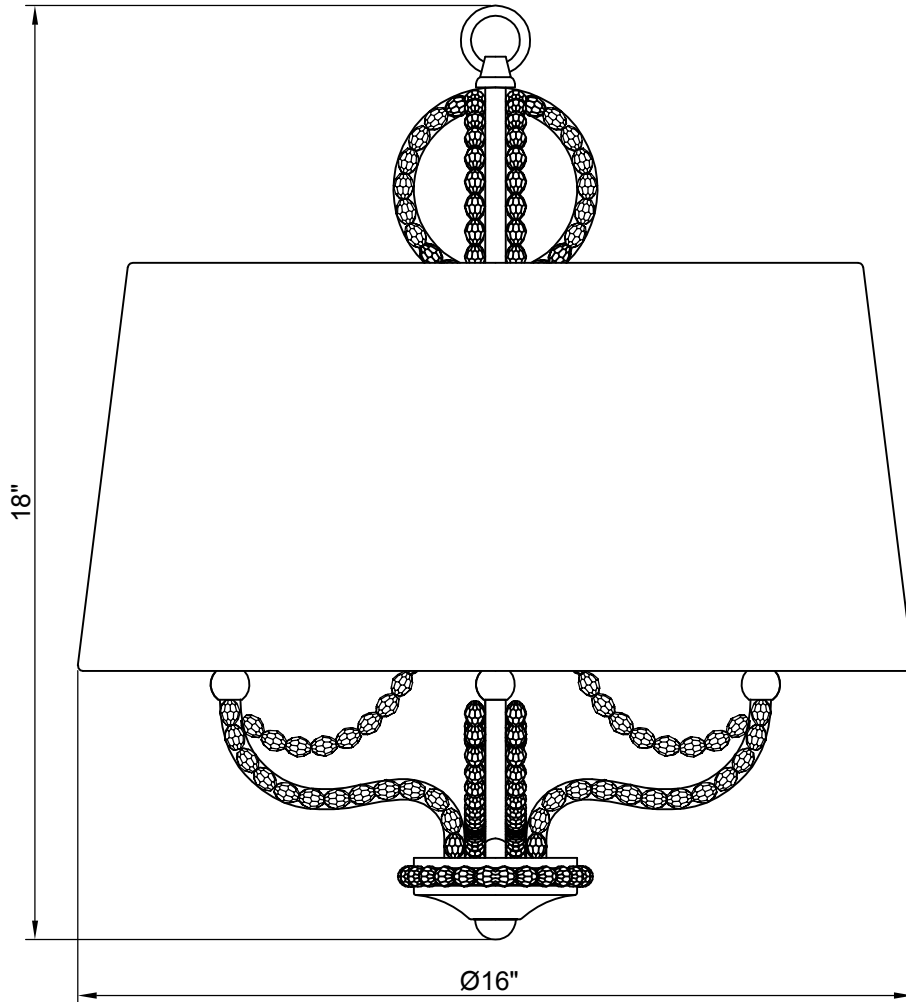


CRYSTORAMA

LIGHTING THE WAY FOR SIXTY YEARS

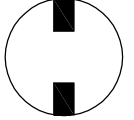
ASSEMBLY INSTRUCTION MODEL #6764-DT



WARNING:

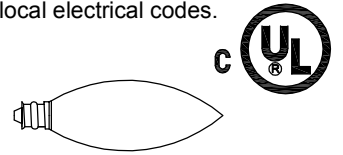


Electrical Danger



Turn Power Off

All electrical components must be installed by a licensed electrician in accordance with the National Electric Code and the appropriate local electrical codes.



You will need 4 - Candelabra Bulb
40 Watts Recommended 60 Watts Max.
USE LED BULBS FOR EXTENDED USE

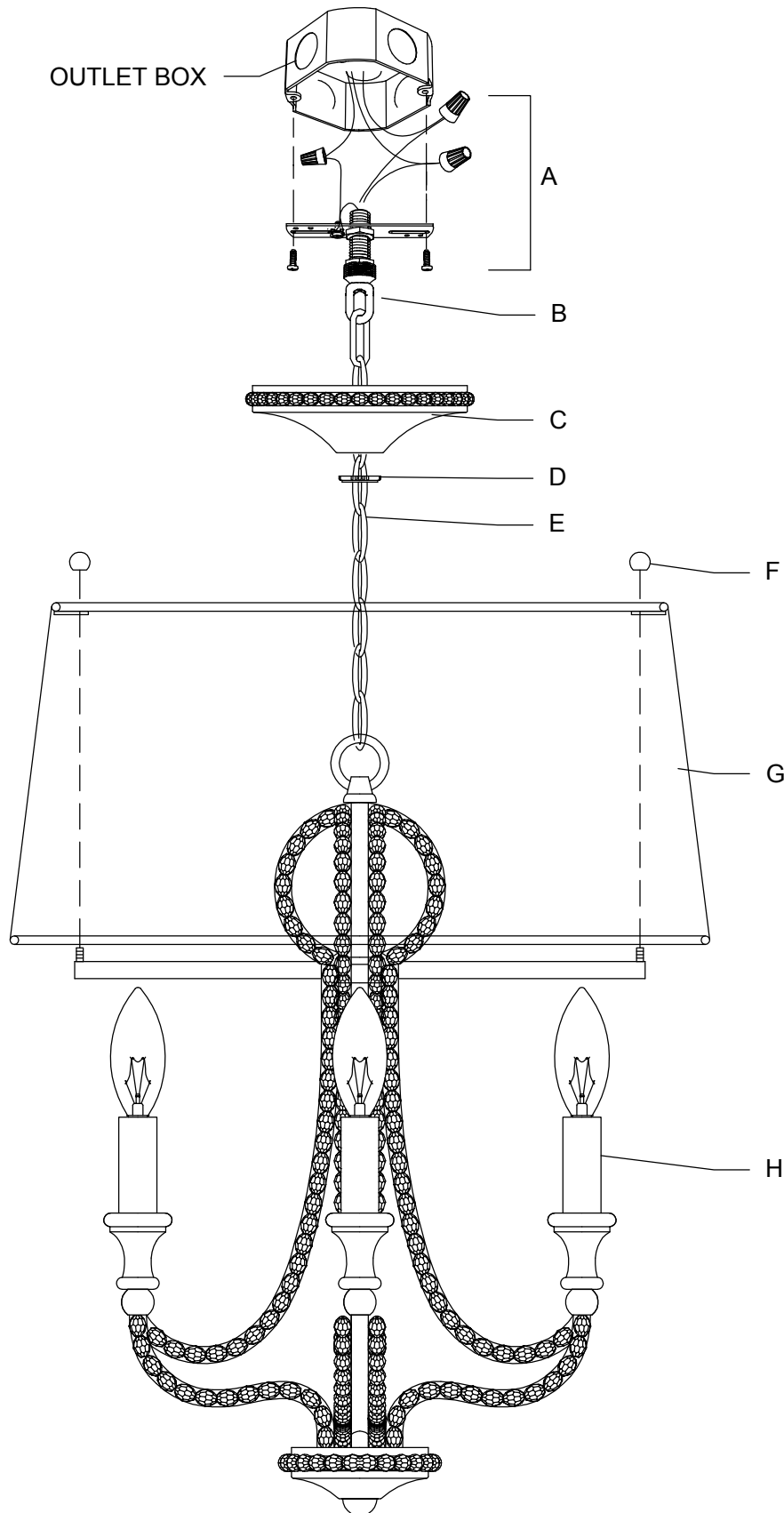
How to Install

1. Attach shade onto the body and secure with ball nuts.
2. Attach mounting plate to the outlet box using box screws. Thread nipple into mounting plate and secure with nut.
3. Slide collar ring and canopy over chain. Thread screw collar onto the nipple.
4. Connect chain to the screw collar and the loop.
5. Feed wires up through chain and pass wires through holes in screw collar.
6. Connect the fixture wires to the supply wires.
7. Secure canopy with screw collar ring.
8. Install the bulb (Not included) in accordance with the fixture's specifications. (DO NOT EXCEED THE MAXIMUM WATTAGE RATING!)

CRYSTORAMA

LIGHTING THE WAY FOR SIXTY YEARS

PART NUMBER MODEL #6764-DT



Part Number

Part Numbers

- A. Mounting Hardware
 - (3) - Wire connector
 - (1) - Mounting Plate
 - (2) - Box Screws
 - (1) - Grounding Screw
- B. (1) - Screw Collar
- C. (1) - Canopy; Ø5" x 1 1/2"H;
XVE6764DTCAN4.75IN
- D. (1) - Collar Ring
- E. (1) - Chain; Ø3.8mm x 72";
XVE6760DTCHA3.8MM
- F. (4) - Ball Nuts; XVE6764DTBANUT
- G. (1) - Shade; Ø16" x 8"H;
XVE6764DTSHA16IN
- H. (4) - Candle Sleeve;
XVE6762DTCDL2.5IN