

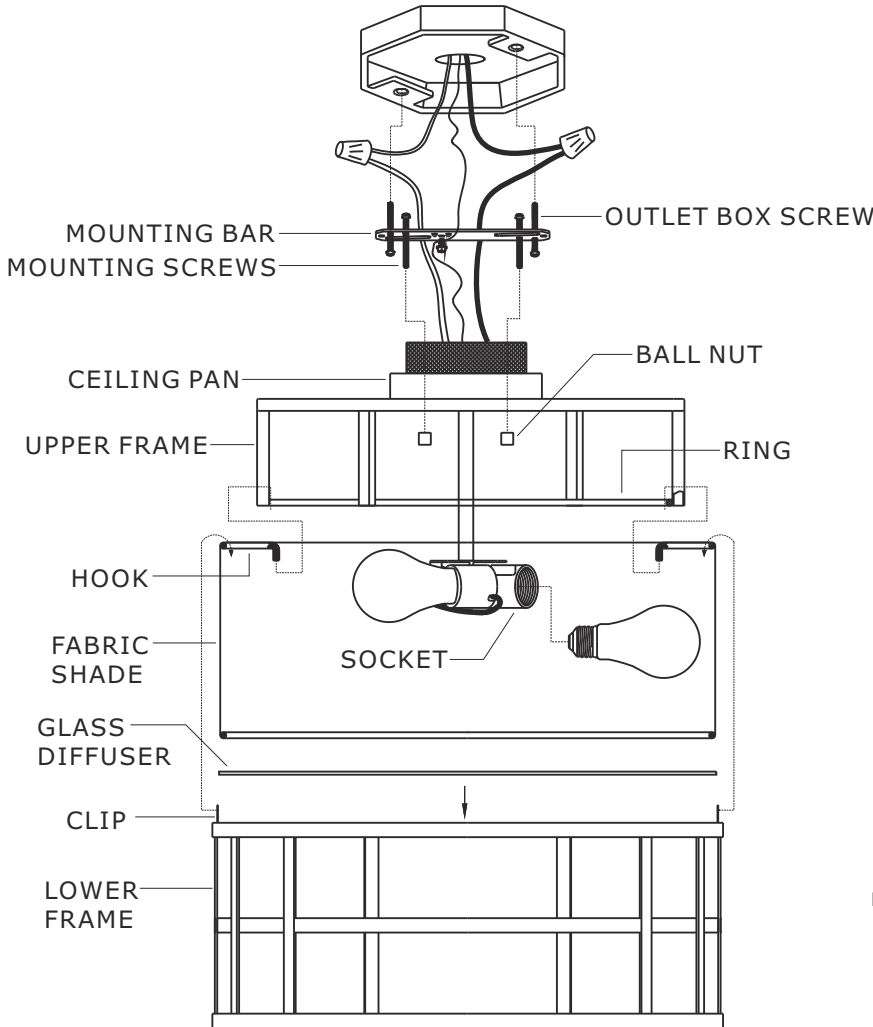
# CRYSTORAMA

LIGHTING THE WAY FOR SIXTY YEARS



Crystorama.com

## ASSEMBLY INSTRUCTION MODEL#DAN-400-PN



All electrical components must be installed by a licensed electrician in accordance with the National Electric Code and the appropriate local electrical codes.



You will need 3-Medium Base Bulb  
40 Watts Frosted bulb Recommended  
60 Watts Max.  
USE LED BULBS FOR EXTENDED USE  
This fixture is Dry rated

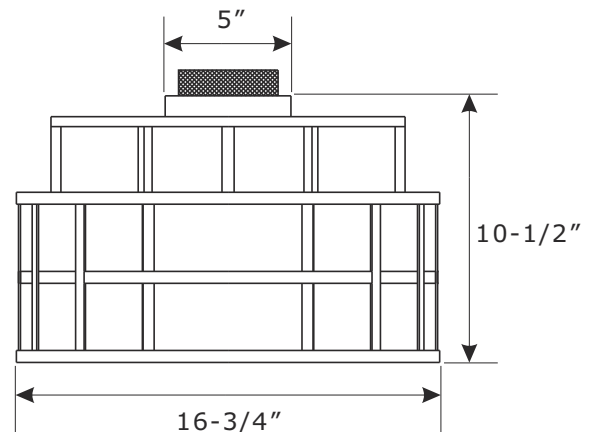
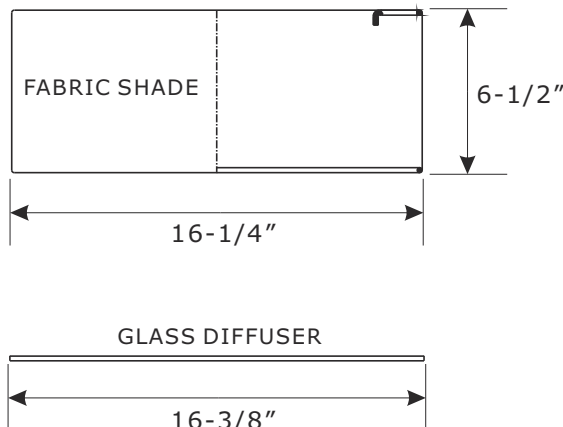
### How to install

1. Install the mounting screws into the matching holes in the mounting bar. Secure the mounting bar to the outlet box with the outlet box screws.
2. Raise ceiling pan and upper frame allowing the mounting screws to protrude through the holes in the ceiling pan, and secure with the ball nut.
3. Install the bulbs(not included) into the socket.
4. Slide the glass diffuser into the bottom of the lower frame.
5. Slide the fabric shade inside the lower frame and secure it with clips.
6. Raise the lower frame up and hang it onto the ring on the bottom of the upper frame.

**NOTE:** HIDE THE SEAMS OF THE SHADE BY ALIGNING IT WITH A VERTICAL METAL BAR.

### HOW TO REPLACE THE BULB:

PLEASE TAKE THE LOWER FRAME OFF THE UPPER FRAME TO CHANGE THE BULB.



**WARNING:** This product can expose you to Lead which is known to the state of California to cause cancer and/or birth defects or reproductive harm. For more information go to [www.P65Warnings.ca.gov](http://www.P65Warnings.ca.gov)



## ASSEMBLY INSTRUCTION MODEL #DAN-400-PN

### Part Number

#### Part Numbers

- A. (1)-Mounting hardware
- B. (1)-Ceiling pan W5"xH1"
- C. (2)-Ball nut #XRF400PNBANUT
- D. (1)-Upper frame
- E. (1)-Fabric shade W16-1/4"xH6-1/2" #XRF400SHA16.25IN
- F. (1)-Glass diffuser #XRF400DIF16.375IN
- G. (1)-Lower frame

