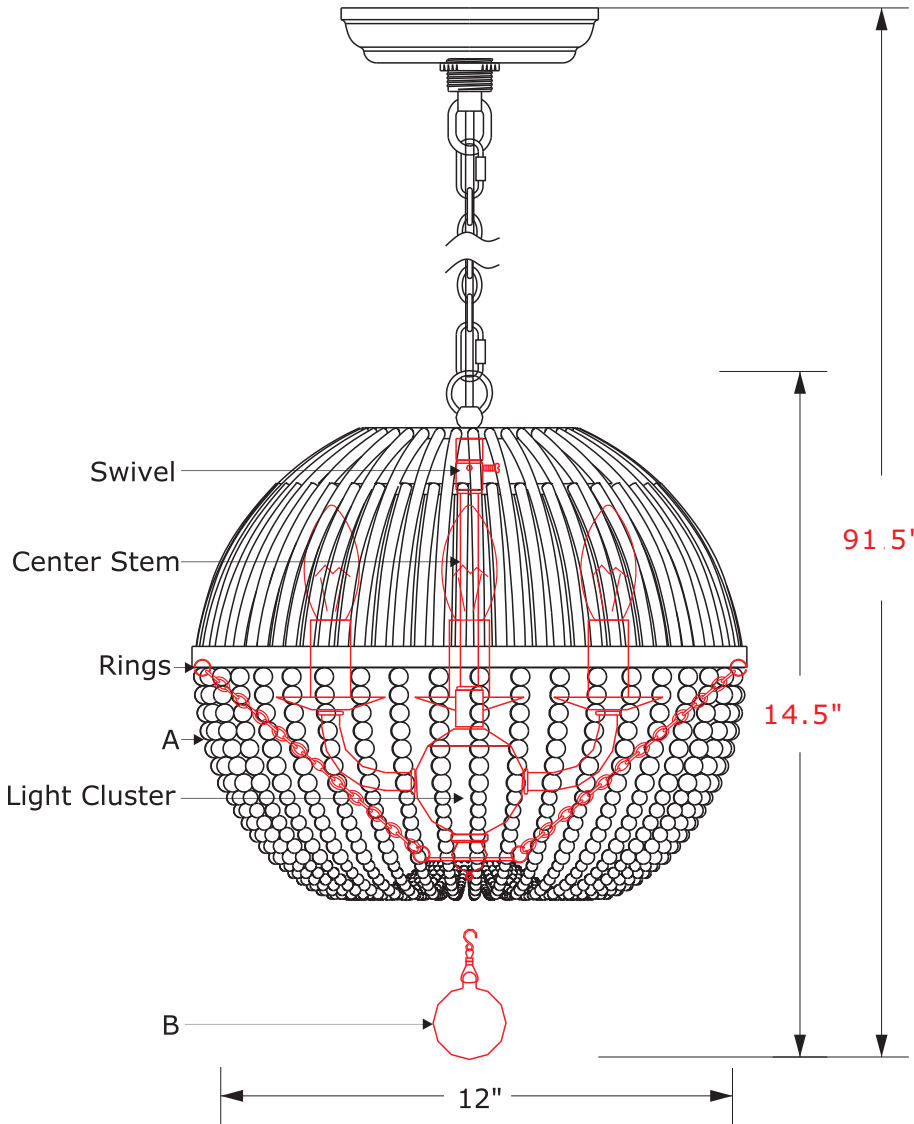


CRYSTORAMA

LIGHTING THE WAY FOR SIXTY YEARS

ASSEMBLY INSTRUCTION MODEL #DUV-623-MK



A = 

B = 



All electrical components must be installed by a licensed electrician in accordance with the National Electric Code and the appropriate local electrical codes.



You will need 3-Candelabra Base Bulb
40 Watts Recommended 60 Watts Max.

USE LED BULBS FOR EXTENDED USE

THIS FIXTURE IS DAMP RATED


How to install

1. Do a complete check of all parts and components before you start installation.
2. Attach the center stem onto the light cluster.
3. Insert candle sleeve and bulbs(not included) into the socket.
4. Attach the top of the center stem onto the swivel.
5. Open the rings of the small chain and attach them to loops on the bottom of the metal cage.
6. Dress the fixture with beads "A" and "B" as illustrated.

Crystal Sets

A. 40 Sets.
(8)12mm + (6)10mm + (4)8mm
+(4)6mm + (4)4mm

B. 1 Set.
(1)40mm

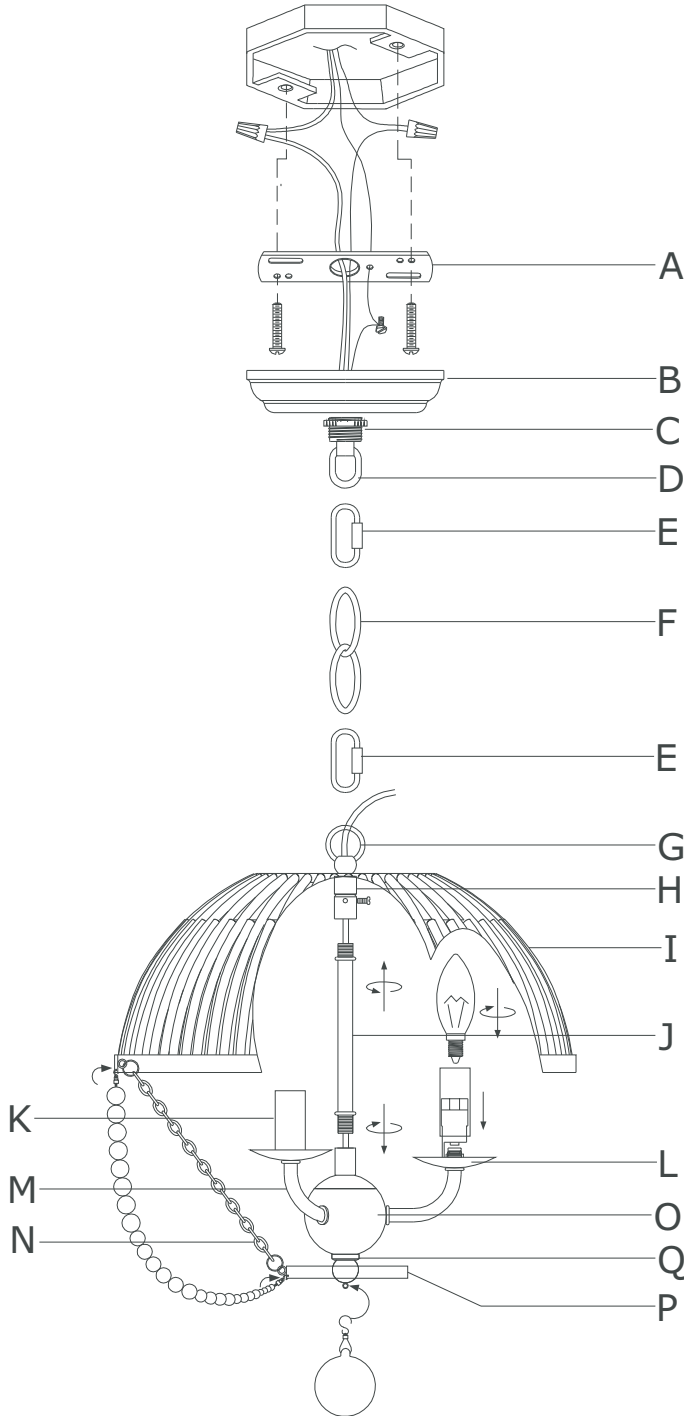
 **WARNING:** This product can expose you to Lead, which is known to the State of California to cause cancer and/or birth defects or reproductive harm. For more information go to www.P65Warnings.ca.gov.

CRYSTORAMA

LIGHTING THE WAY FOR SIXTY YEARS

PART NUMBER MODEL #DUV-623-MK

Part Number



- A. (1) - Mounting Hardware
- B. (1) - Canopy(W5",H1") #XRE623MKCAN5IN
- C. (1) - Collar Ring
- D. (1) - Collar Loop #XRE623MKLOOP1
- E. (2) - Quick Loop
- F. (1) - Hanging Chain(72",3.4mm) #XRE623MKCHA3.4MM
- G. (1) - Fixture Loop XRE623MKLOOP2
- H. (1) - Swivel #XRE623MKSWIVEL
- I. (1) - Metal Cage
- J. (1) - Center Stem(4.37") #XRE623MKSTM4.37IN
- K. (3) - Candle Sleeve(W1",H2") #XRE623MKCDL2IN
- L. (3) - Bobeche
- M. (3) - Arm
- N. (3) - Small Chain(each 5.9".3mm) #XRE623MKSCHA3MM
- O. (1) - Light Cluster
- P. (1) - Bottom Ring #XRE623MKBORING
- Q. (1) - Finial #XRE623MKFIN