

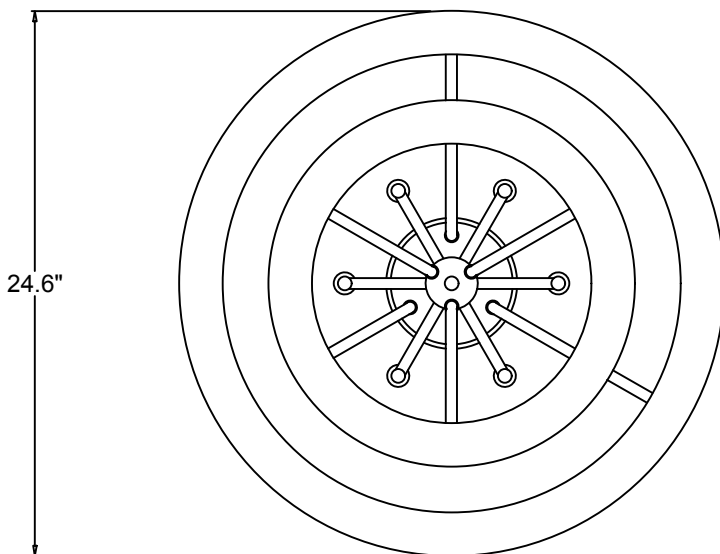
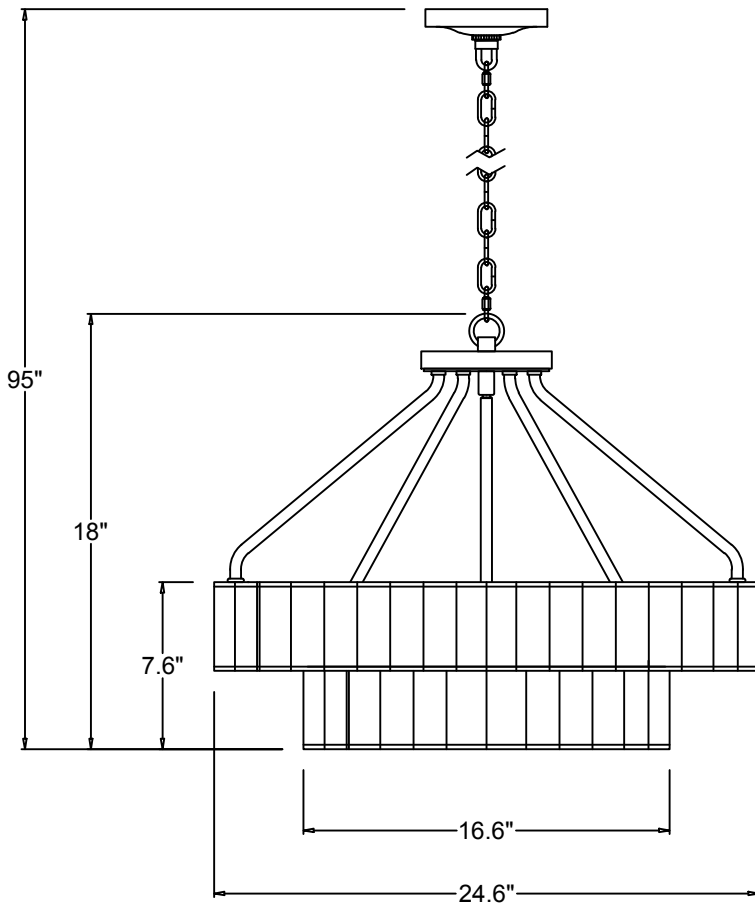
# CRYSTORAMA

LIGHTING THE WAY FOR SIXTY YEARS



Crystorama.com

## ASSEMBLY INSTRUCTION MODEL #FAR-6006-AG



### WARNING



Electrical Danger



Turn Power Off

All electrical components must be installed by a licensed electrician in accordance with the National Electric Code and the appropriate local electrical codes.



You will need 6-Cand Bulb  
40 Watts Recommended 60 Watts Max  
Bulb not included  
USE LED BULBS FOR EXTENDED USE  
This fixture is DRY rated

### How to Install

1. Screw one end of center stem onto the light cluster. Pass the other end of it through the top cap and secure with hex nut.
2. Place the check ring over the hex nut on the lower frame and screw one end of the top hanging rod onto the lower frame. Pass the other end of the top hanging rod through the top cap and secure with hex nut and washer.
3. Place the check ring over the hex nut on the upper frame and screw one end of the lower hanging rod onto the upper frame. Pass the other end of the lower hanging rod through the top cap and secure with hex nut and washer.
4. Place the metal plate over the top cap and secure with the loop.
5. Decide the preferred hanging height and choose the chain needed.
6. Follow the safety cable installation step below.
7. Install the frame onto the outlet box.
8. Insert the glass rod into the frame.

### Installation of safety cable

1. Pass the long threaded pipe on the hickey through the center of outlet box. Attach it to the ceiling joist and secure it with nuts.
2. Feed wires and safety cable up through chain and the hole of screw collar loop. Have the wires and safety cable exit through the side of hickey.
3. Feed safety cable through the cable lock and coil it around the hickey twice then feed the cable through the lock again and tighten it with lock screw.
4. Continue to run safety cable through the top of outlet box and secure it to the ceiling joist.



WARNING: This product can expose you to Lead, which is known to the State of California to cause cancer and/or birth defects or reproductive harm. For more information go to [www.P65Warnings.ca.gov](http://www.P65Warnings.ca.gov)

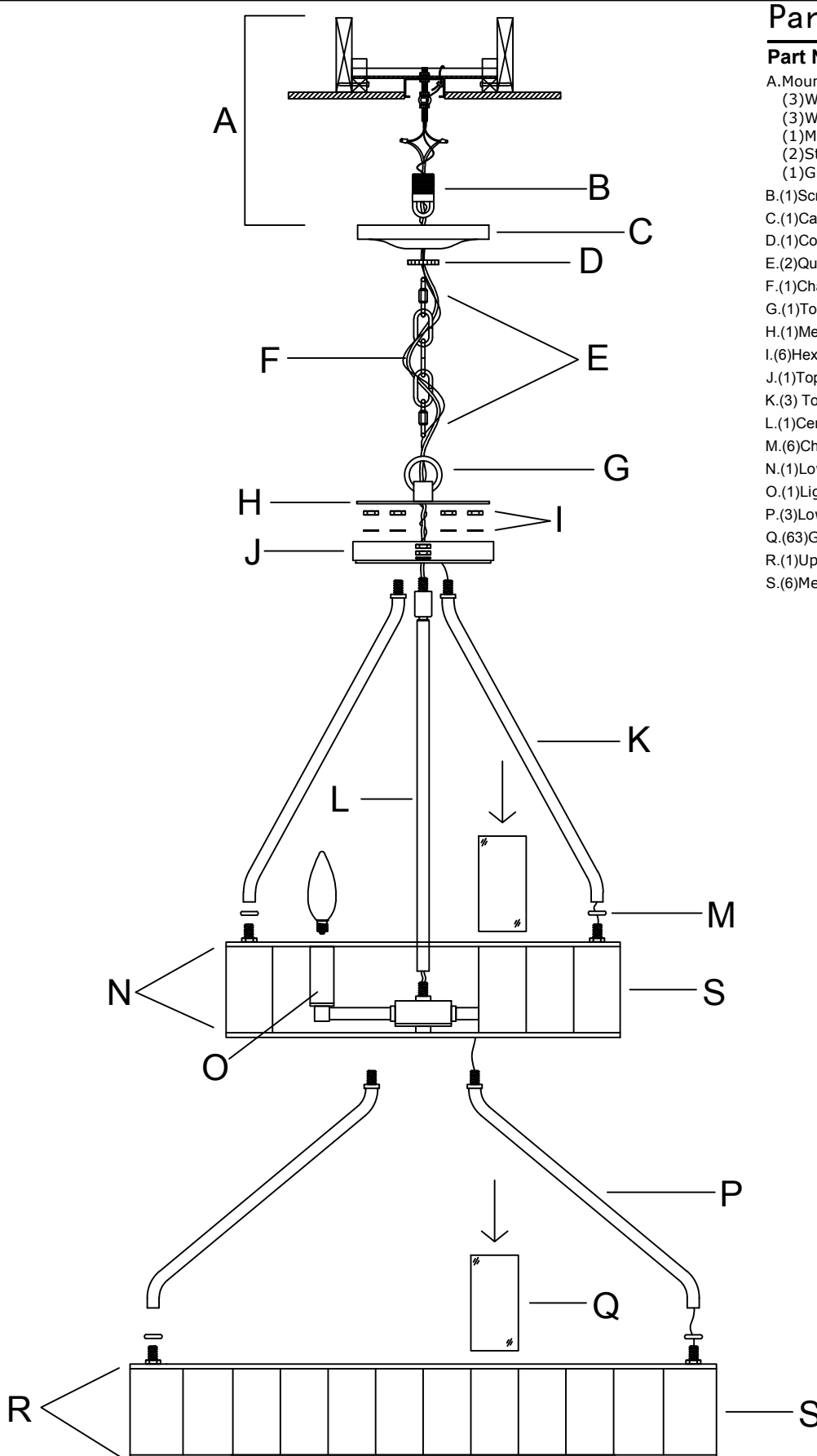
# CRYSTORAMA

LIGHTING THE WAY FOR SIXTY YEARS



Crystorama.com

PART NUMBER MODEL #FAR-6006-AG



## Part Number

### Part Numbers

- A. Mounting Hardware
  - (3) Wire Nut
  - (3) Wall anchor
  - (1) Mounting Plate
  - (2) Steel wire rope
  - (1) Green Ground Screw
- B. (1) Screw Collar Loop
- C. (1) Canopy; Ø5.5"x1.2"h; XMO6006AGCAN5.5IN
- D. (1) Collar Ring
- E. (2) Quick Link
- F. (1) Chain; 72"Lx Ø6.0mmT; XMO6006AGCHA6.0MM
- G. (1) Top Loop
- H. (1) Metal plate
- I. (6) Hex nut and washer
- J. (1) Top cap
- K. (3) Top Hanging Rod; Ø0.5"x14"; XMO6006AGHROD14IN
- L. (1) Center stem; Ø0.5"x14.3"; XMO6006AGCSTEM14.3IN
- M. (6) Check ring
- N. (1) Lower frame
- O. (1) Light cluster
- P. (3) Lower Hanging Rod; Ø0.5"x13" XMO6006AGHROD13IN
- Q. (63) Glass rod; 1.5"Wx4"H; XMO6000GLAROD4IN
- R. (1) Upper frame
- S. (6) Metal rod

Glass rod

