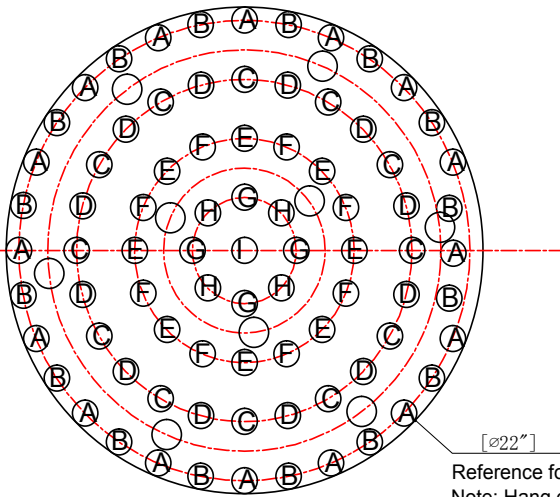
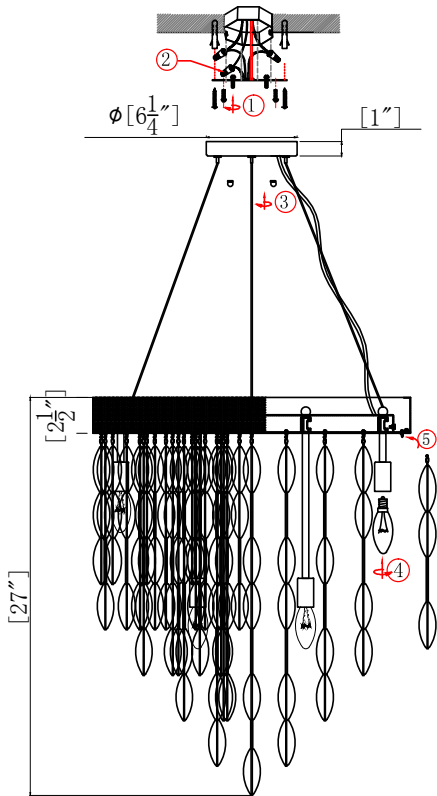


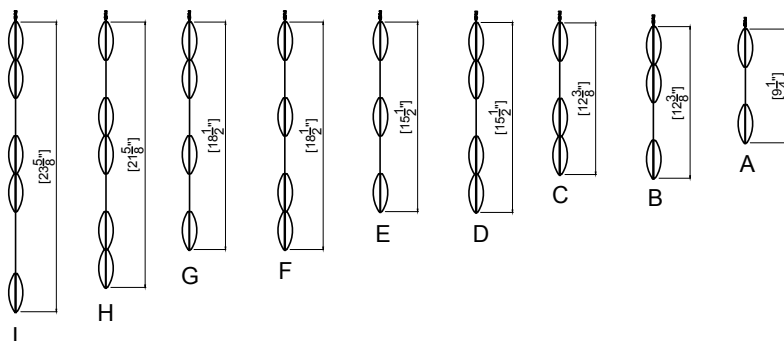
CRYSTORAMA

LIGHTING THE WAY FOR SIXTY YEARS

ASSEMBLY INSTRUCTION MODEL #HUD-A2219-CH



Reference for how to dress
 Note: Hang glass strand "A" and "B" alternating, "C" and "D" alternating, "E" and "F" alternating, "H" and "G" alternating.



All electrical components must be installed by a licensed electrician in accordance with the National Electric Code and the appropriate local electrical codes.



You will need 9 Candelabra Base Bulb
 40 Watts Recommended 60 Watts Max.
USE LED BULBS FOR EXTENDED USE

How to install the mounting strap

1. Place the mounting strap over the outlet box and mark the two points on the ceiling at the center of outer hole on the mounting strap.
2. Drill the holes on the two marked points and insert the wall anchors.
3. Place the mounting strap over the outlet box secure it by outlet box screw. Insert the anchor screw in the wall anchor and tighten it.

How to install

1. Do a complete inventory of all parts and components before you start installing.
2. Fasten mounting hardware to junction box with machine screws. After wires are connected, place fixture against mounting surface allowing the machine screws to pass through the canopy, secure with cap nuts.
3. After safely attaching fixture into junction box, install bulbs and proceed to connecting the power.
4. Apply glass strands by starting with strand I, then install strands H, G, E, F, C, D, A and B.

Glass Strands

- A. 16sets L9 1/4"
- B. 16sets L12 3/8"
- C. 12sets L12 3/8"
- D. 12sets L15 1/2"
- E. 8 sets L15 1/2"
- F. 8 sets L18 1/2"
- G. 4 sets L18 1/2"
- H. 4 sets L21 5/8"
- I. 1 set L23 5/8"

WARNING: This product can expose you to Lead, which is known to the State of California to cause cancer and/or birth defects or reproductive harm. For more information go to www.P65Warnings.ca.gov

CRYSTORAMA

LIGHTING THE WAY FOR SIXTY YEARS

PART NUMBER MODEL #HUD-A2219-CH

Part Number

Part Numbers

A. (1)-Mounting Hardware

Including:

(1)-mounting strap

(2)-wall anchor

(2)-anchor screw

(2)-machine screw

B. (1)-Canopy; $\phi 6 \frac{1}{4} \times H1$ "

(XBN2216CHCAN6.25IN)

C. (2)-Cap nuts (XBN2214CHBANUT)

D. (1)-Frame $\phi 18 \times H2 \frac{2}{5}$ "

E. (6)-Tube 1 $\phi 4/5 \times L2 \frac{3}{4}$ "

(XBN2216CHTUBE2.75IN)

F. (3)-Tube 2 $\phi 4/5 \times L9$ "

(XBN2219CHTUBE9IN)

G. (9)-Candle Sleeve $\phi 1 \times L2$ "

(XBN2214CHCDL2IN)

H. (1)-Cable Wire 3X18AWG Clear L3.3M

