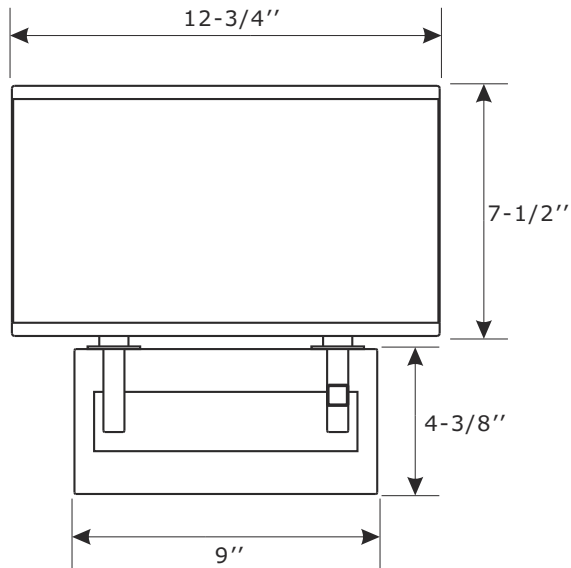
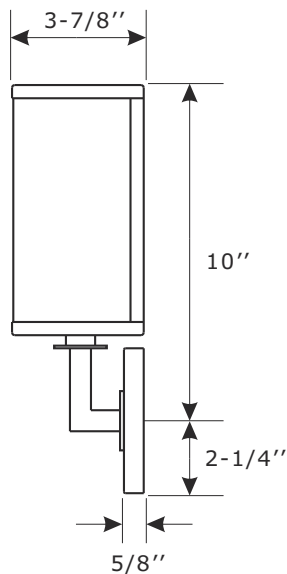




ASSEMBLY INSTRUCTION MODEL#DUR-A3542-BF



FRONT VIEW



SIDE VIEW



All electrical components must be installed by a licensed electrician in accordance with the National Electric Code and the appropriate local electrical codes.



You will need 2- Candelabra Base Bulb
40 Watts Recommended 60 Watts Max.
USE LED BULBS FOR EXTENDED USE
This fixture is Damp rated

How to install

1. Separate the mounting plate from the backplate by removing the screws.
2. Install the mounting plate to the outlet box using two outlet box screws.
3. Install backplate onto the mounting plate, and secure with the screws.
4. Slide the fabric shade onto the candle sleeve.
5. Install the bulb(not included) into the socket.



ASSEMBLY INSTRUCTION MODEL#DUR-A3542-BF

Part Number

Part Numbers

- A. (1)-Mounting hardware
- B. (1)-Mounting plate
- C. (1)-Fabric shade #XRF3542SHA12.75IN
- D. (2)-Candle sleeve W7/8"xH2-3/8" #XRF3542BFCDL2.375IN
- E. (1)-Backplate L9"xW4-3/8"xH5/8" #XRF3542BFBKP9IN
- F. (4)-Screw

