

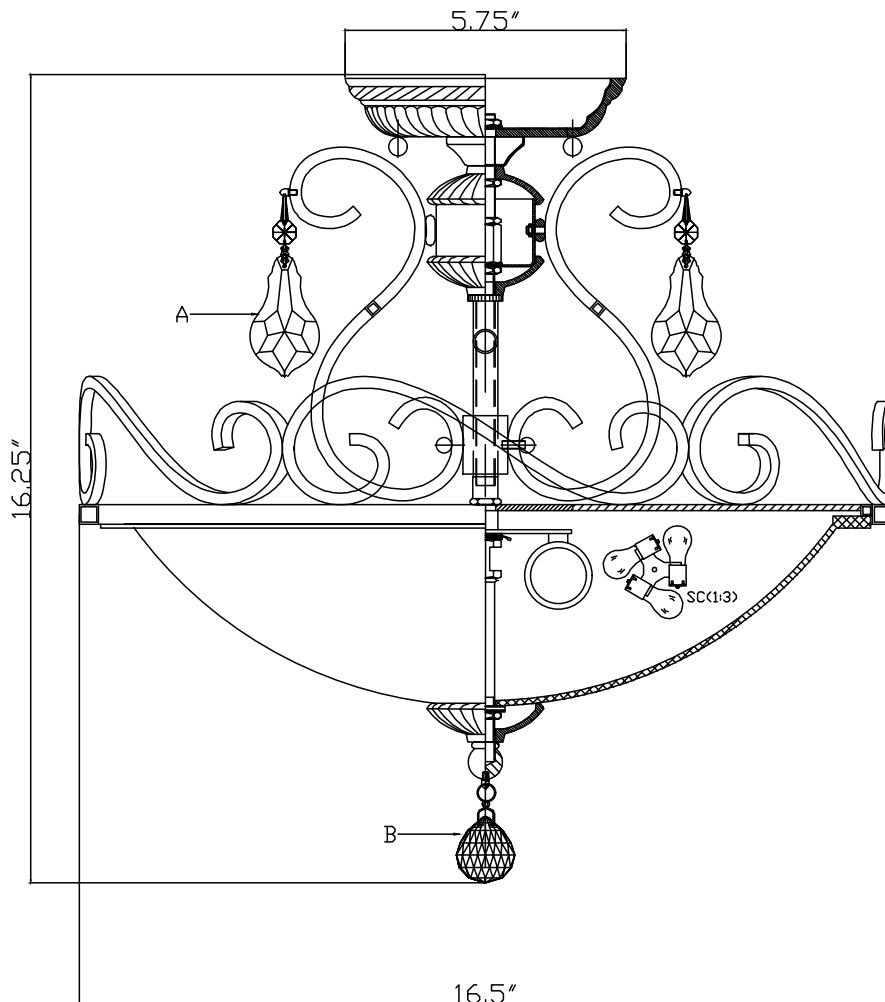
CRYSTORAMA

LIGHTING THE WAY FOR SIXTY YEARS



Crystorama.com

ASSEMBLY INSTRUCTION MODEL #5010OSCLMWP



WARNING:



Electrical Danger



Turn Power Off

All electrical components must be installed by a licensed electrician in accordance with the National Electric Code and the appropriate local electrical codes.



You will need 3- Medium Base Bulb
40 Watts recommended 60 Watts Max.
USE LED BULBS FOR EXTENDED USE

The fixture is Damp rated

HOW TO INSTALL:

Place the fixture parts on a soft cloth-covered platform before installation of fixture.

1. Screw the arm kit onto the frame and install the bulb (bulb not include.)
2. Attach the frame to the arm kit and install the assembled piece onto the outlet box and connect the wires.
3. Screw the threaded pipe onto the frame.
4. Raise the glass up and pass it through the threaded pipe. Secure it with rubber washer and hex nut.
5. Put the bottom finial on and dress the crystals.

Crystal Sets

- A. 6 Sets. (1)14mm + (1)63mm
B. 1 Piece. (1)AS8-30mm Ball

⚠ WARNING: This product can expose you to Lead, which is known to the State of California to cause cancer and/or birth defects or reproductive harm. For more information go to www.p65warnings.ca.gov

CRYSTORAMA

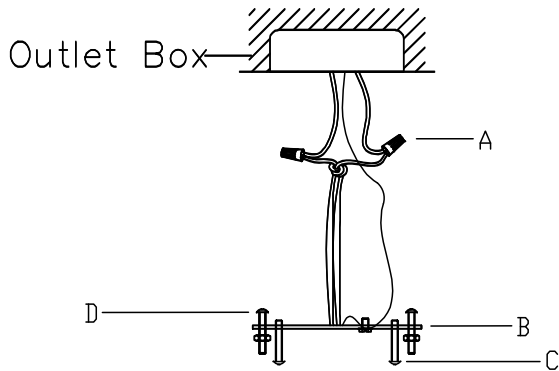
LIGHTING THE WAY FOR SIXTY YEARS



Crystorama.com

ASSEMBLY INSTRUCTION MODEL #5010OSCLMWP

Part Number



Part Numbers-For Hanging

- A. (2)-Wire Connector
- B. (1)-Mounting Plate
- C. (2)-Mounting Screw
- D. (2)-Screw
- E. (1)-Canopy (W5 3/4"xH1 1/4")
-XSN5010OSCAN5.75IN
- F. (2)-Ball Nut-XSN5010OSBANUT
- G. (1)-Arm Kit
- H. (1)-Frame
- I. (1)-Glass;Ø15 3/4",H3 3/4"-XSN5010OSGLA15.75IN
- J. (1)-Threaded pipe
- K. (1)-Washer
- L. (1)-Hex nut
- M. (1)-Bottom cap-XSN5010OSBOTCAP
- N. (1)-Finial-XSN5010OSFIN

