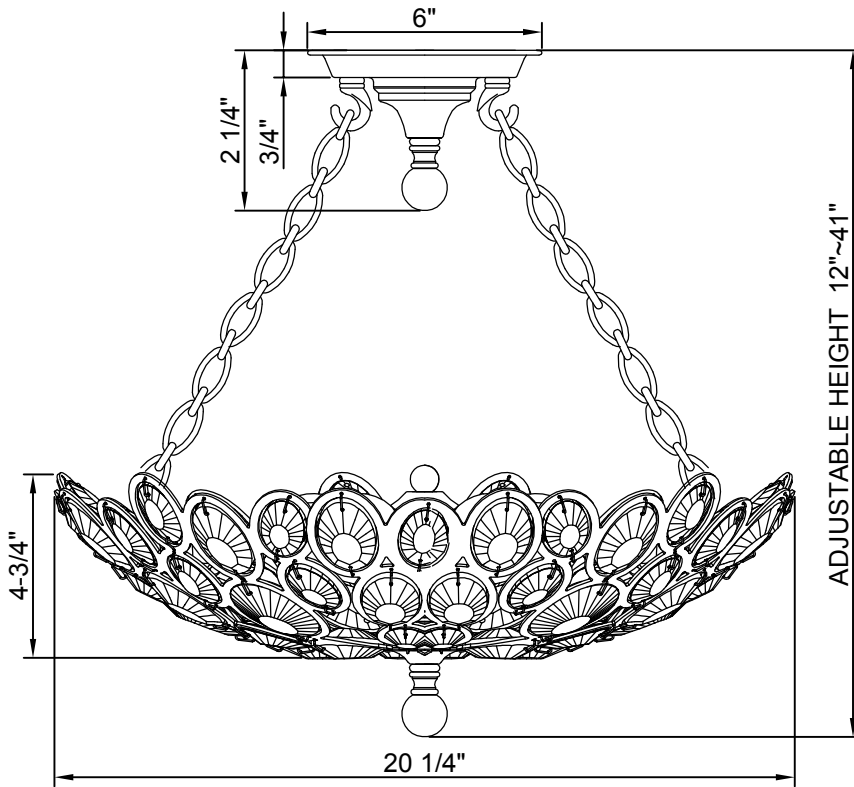


# CRYSTORAMA

LIGHTING THE WAY FOR SIXTY YEARS

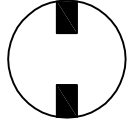
## ASSEMBLY INSTRUCTION MODEL #7584-DT



### WARNING:

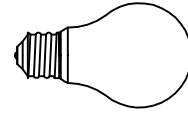


Electrical Danger



Turn Power Off

All electrical components must be installed by a licensed electrician in accordance with the National Electric Code and the appropriate local electrical codes.



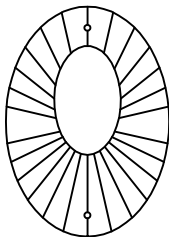
You will need 3 - Medium Bulb  
40 Watts Recommended 60 Watts Max.  
USE LED BULBS FOR EXTENDED USE

### How to Install

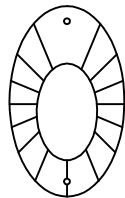
1. Attach mounting plate to the outlet box using box screws.
2. Attach appropriate amount of chain to fixture to achieve desired mounting height.
3. Connect the fixture wires to the supply wires.
4. Mount the fixture to the outlet box with finial.
5. Install the second finial onto the bottom of the frame.
6. Install the bulb (Not included) in accordance with the fixture's specifications. (DO NOT EXCEED THE MAXIMUM WATTAGE RATING!)

### Crystal Sets

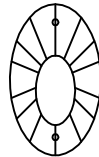
- A. 6 Pcs. 3" x 2 1/8"
- B. 18 Pcs. 1 1/2" x 2 1/2"
- C. 42 Pcs. 1 1/8" x 2"



A



B



C

# CRYSTORAMA

LIGHTING THE WAY FOR SIXTY YEARS

PART NUMBER MODEL #7584-DT

## Part Number

### Part Numbers

#### A. Mounting Hardware

(3) - Wire connector

(1) - Mounting Plate

(2) - Box Screws

(1) - Grounding Screw

#### B. (2) - Finial; XVE7583DTFIN

C. (3) - Chain-(Ø3.8mm x 36");  
XVE7584DTCHA3.8MM

