

CRYSTORAMA

LIGHTING THE WAY FOR SIXTY YEARS



Crystorama.com

ASSEMBLY INSTRUCTION MODEL#EMO-5409-MG

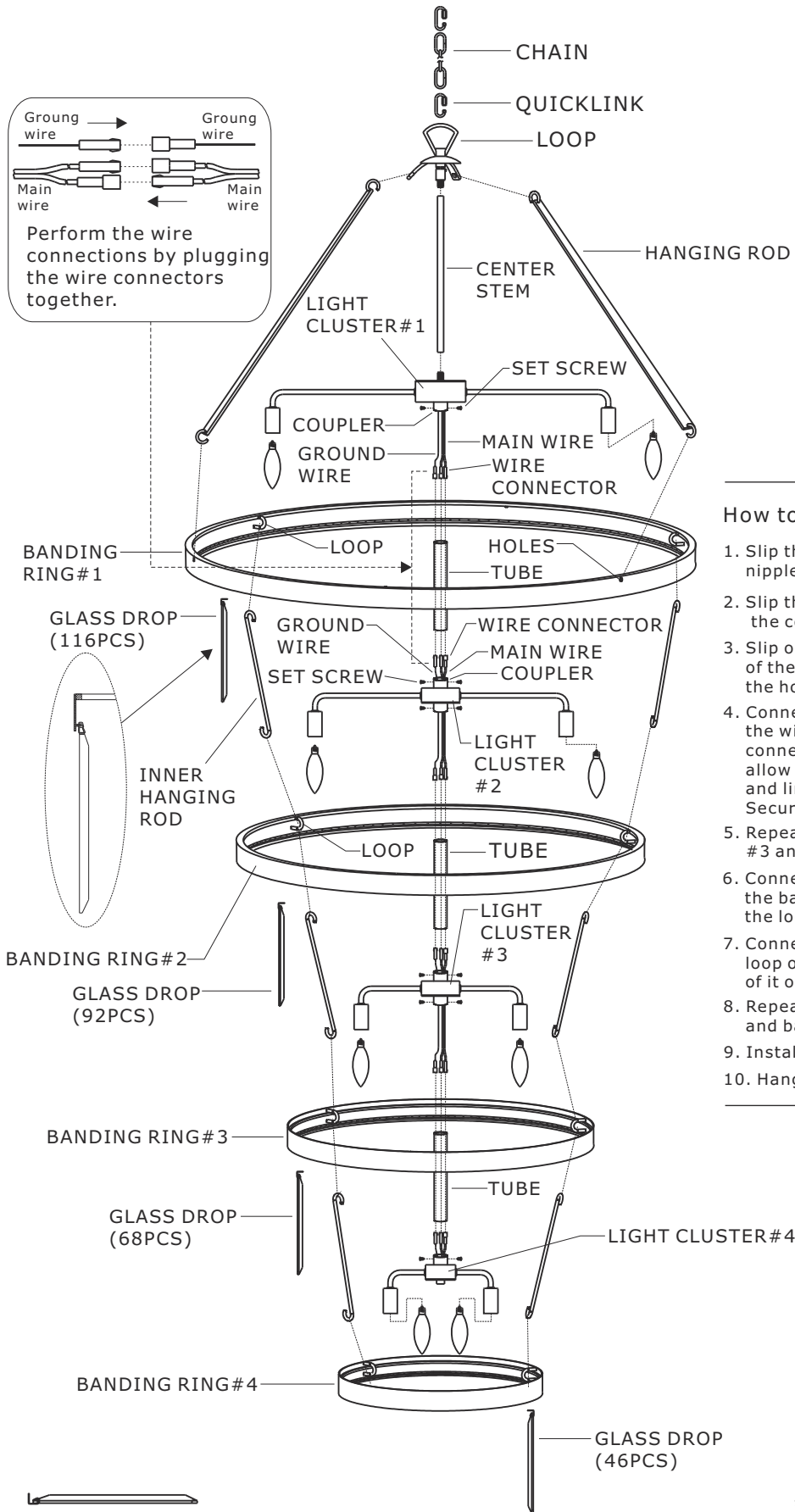
Refer to the safety cable mounting on the next page!



All electrical components must be installed by a licensed electrician in accordance with the National Electric Code and the appropriate local electrical codes.



You will need 22- Candelabra Base Bulb
40 Watts Recommended 60 Watts Max.
USE LED BULBS FOR EXTENDED USE
This fixture is Damp rated



(W1"xL7-7/8")x322sets

How to install

1. Slip the center stem along wire and thread onto the nipple located on the top of the light cluster #1.
2. Slip the loop assembly along wire and thread into the center stem.
3. Slip one of the tubes over the coupler on the bottom of the light cluster #1 and line up the holes on it with the holes on the coupler. Secure it with the screw.
4. Connect the fixture wire from light cluster #1 onto the wire from light cluster #2 by plugging the wire connector together. Raise the light cluster #2 up to allow the coupler on top of it to slip into the tube and line up the holes on it with holes on the tube. Secure it with the screw.
5. Repeat step 3 and 4 for assembly of the light cluster #3 and light cluster #4.
6. Connect one end of the hanging rod into the hole of the banding ring #1. Connect the other end of it onto the loop assembly.
7. Connect one end of the inner hanging rod onto the loop on the banding ring #1. Connect the other end of it onto the loops of the banding ring #2.
8. Repeat step 7 for assembly of the banding ring #3 and banding ring #4..
9. Install the bulbs(not included) into the socket.
10. Hang glass drop to the banding ring.

WARNING: This product can expose you to Lead which is known to the state of California to cause cancer and/or birth defects or reproductive harm. For more information go to www.P65Warnings.ca.gov

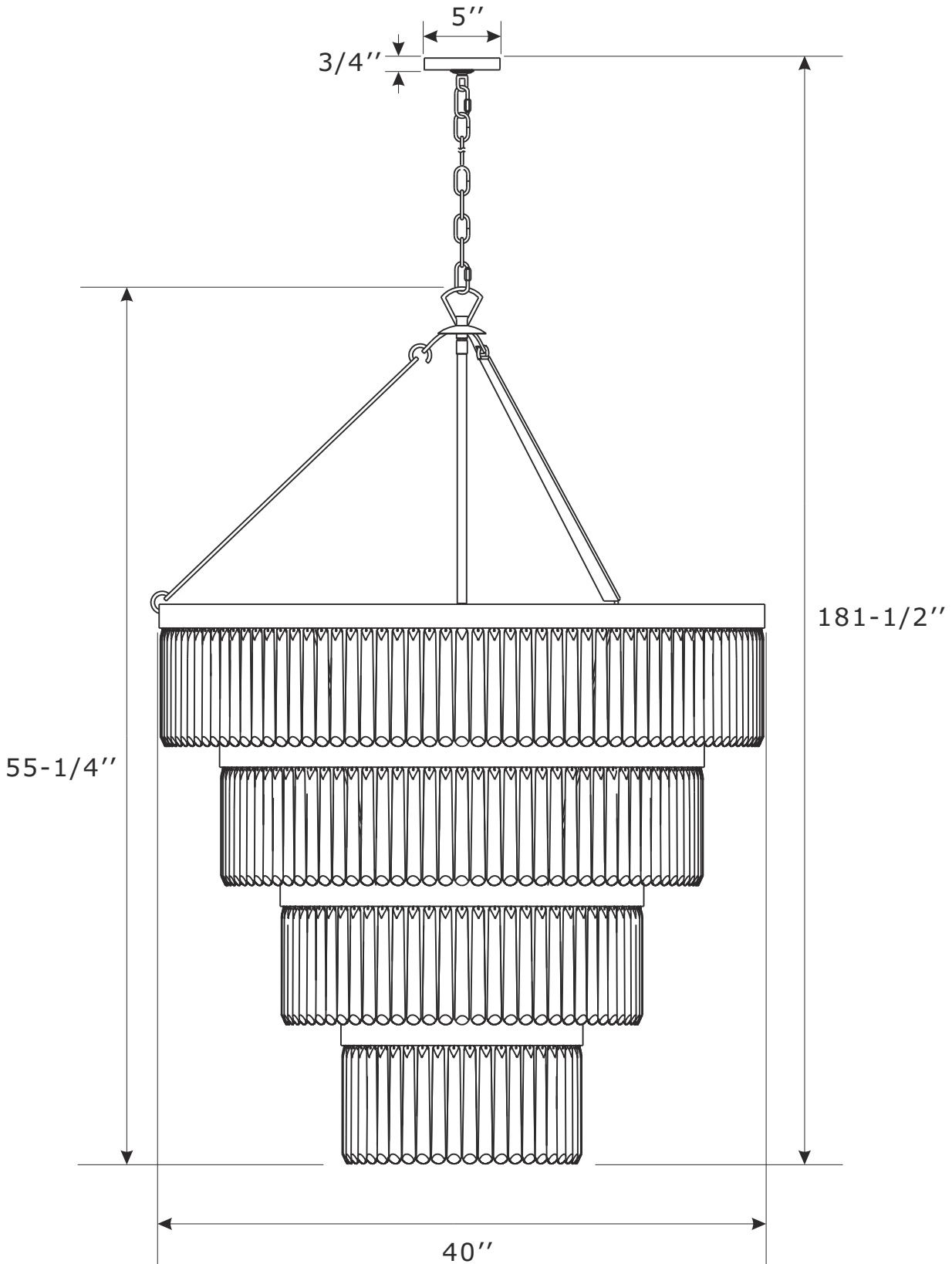
CRYSTORAMA

LIGHTING THE WAY FOR SIXTY YEARS

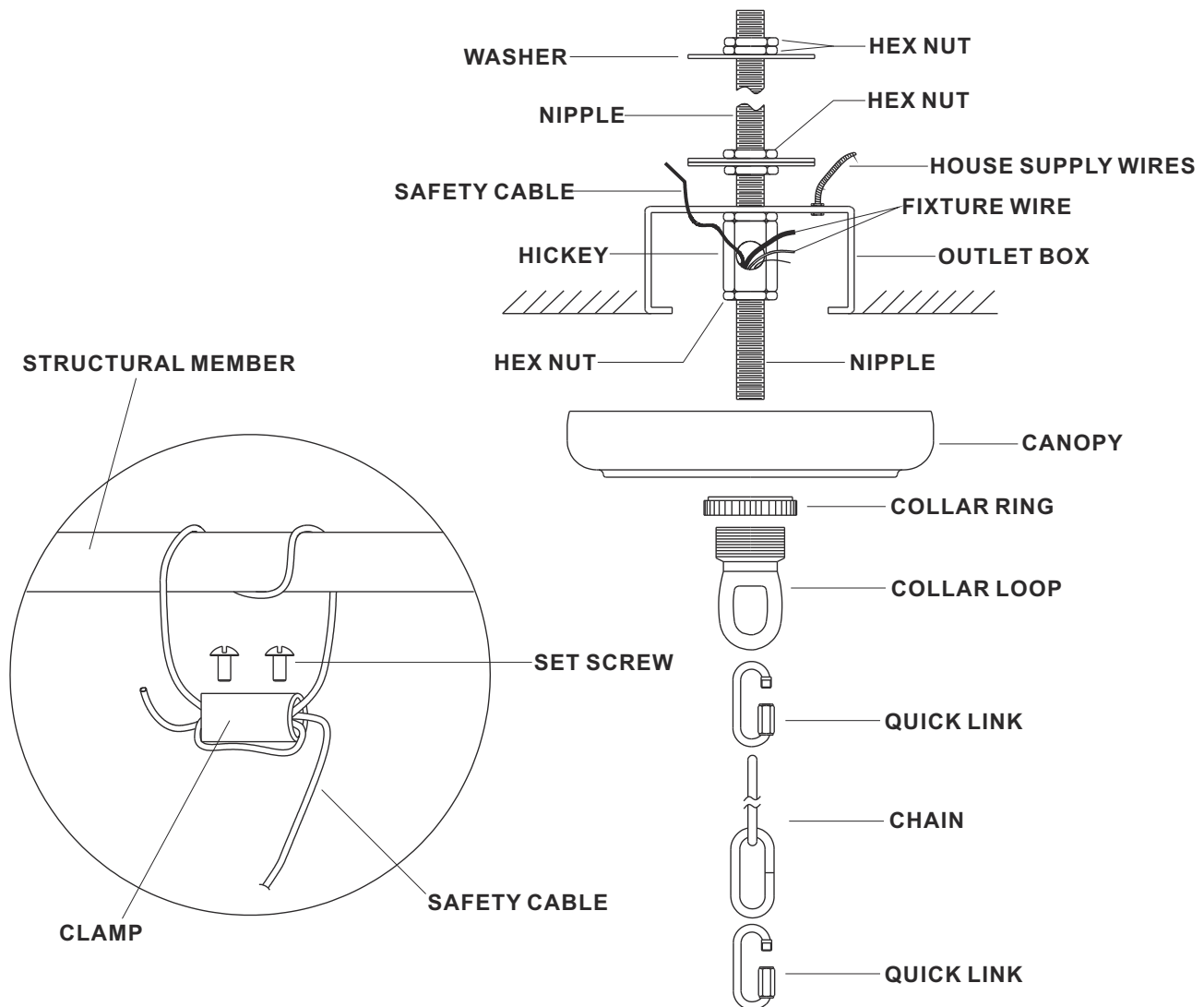
ASSEMBLY INSTRUCTION MODEL# EMO-5409-MG



Crystorama.com



SAFETY CABLE INSTALLATION INSTRUCTIONS



IMPORTANT:

FOR A SAFE AND SECURE INSTALLATION, THESE FIXTURES MUST BE INSTALLED BY MEANS OF SUPPORTS THAT ARE INDEPENDENT OF THE OUTLET BOX.

SUGGESTED INSTALLATION:

1. Provide a 1/4 IPS pipe with one end securely mounted to a beam or a structural member. The other end should protrude through the center of the outlet, as shown.
2. Assemble the screw collar loop, nipple, hex nuts and hickey to center 1/4 IPS support pipe and adjust overall length to allow the collar ring to hold the canopy flush to the ceiling. When the adjustments have been completed secure the hex nut, as shown.
3. Use one quick link to connect fixture loop and the bottom of chain. Slide the screw collar ring over the upper end of the chain, through the (Finished side down). Then use another quick link to connect collar loop and the top of chain.
4. Lace the fixture wires, ground wires and safety cable through the chain and screw collar loop, exiting through the side of HICKEY. Proceed to attach the FIXTURE GROUND WIRE to HOUSE GROUND WIRE using wire connector. Using wire connectors, connect the HOUSE WHITE WIRE to the FIXTURE SUPPLY WIRE (WHITE OR RIBBED SIDE); connect the HOUSE BLACK (or RED) WIRE to the FIXTURE SUPPLY WIRE (BLACK or SMOOTH SIDE). Wrap all connectors with approved electrical tape. Wrap safety cable around outlet box brace and pull cable taut. Secure cable with the clamp and (2) set screws provided, as shown.
5. Push the CANOPY upward over the OUTLET BOX. Be sure that all wires are carefully tucked into the OUTLET BOX cavity. Secure canopy against ceiling by threading CANOPY LOCK RING onto the CANOPY LOOP. Tighten until snug.



ASSEMBLY INSTRUCTION MODEL #EMO-5409-MG

Part Number

Part Numbers

- A. (1)-Canopy W5''xH3/4'' #XRF5409MGCAN5IN
- B. (1)-Collar ring
- C. (1)-Collar loop
- D. (1)-Chain -L120'', 5mm thick #XRF5409MGCHA5MM
- E. (2)-Quick link
- F. (1)-Loop assembly #XRF5409MGLOOP
- G. (1)-Center stem #W5/8''xL16-1/2'' #XRF5409MGSTEM16.5IN
- H. (3)-Hanging rod #W1-1/8''xL25-1/8'' #XRF5409MGROD25IN
- I. (18)-Set screw
- J. (1)-Banding ring#1 #W40''xH1-5/8'' #XRF5409MGRING1
- K. (3)-Tube W1''xL6-7/8''
- L. (322)-Glass drop
- M. (9)-Inner hanging rod #XRF5409MGINROD9IN
- N. (1)-Banding ring#2 #W32''xH1-5/8'' #XRF5409MGRING2
- O. (1)-Banding ring#3 #W24''xH1-5/8'' #XRF5409MGRING3
- P. (1)-Banding ring#4 #W16''xH1-5/8'' #XRF5409MGRING4

