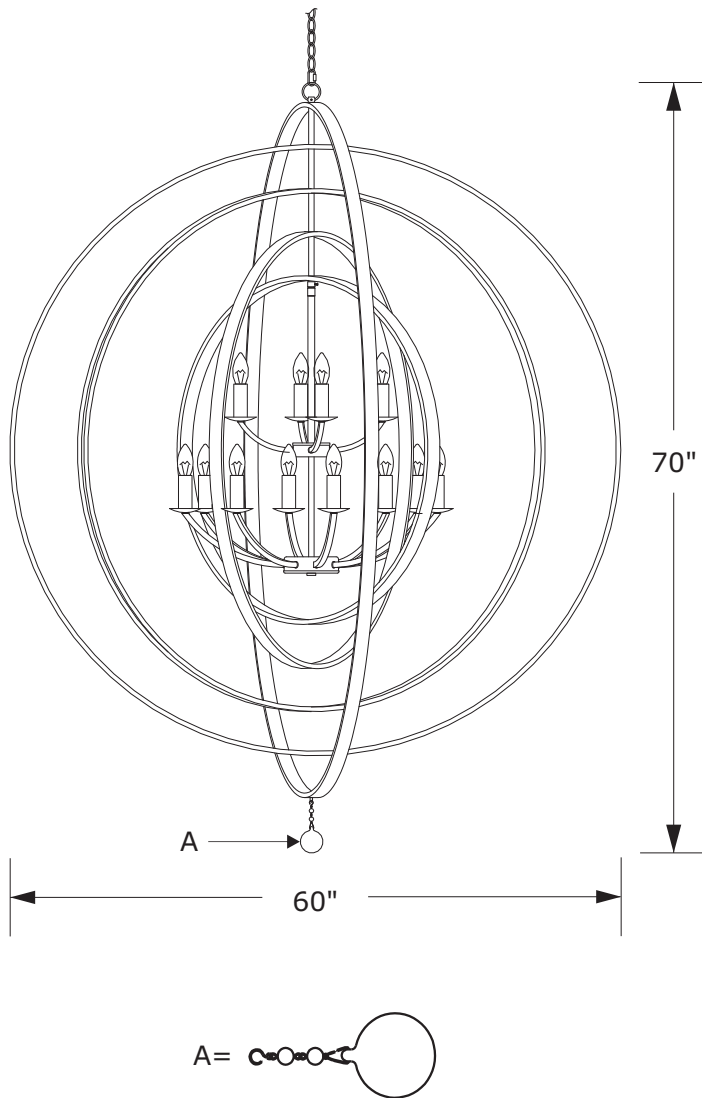


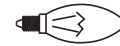
# CRYSTORAMA

LIGHTING THE WAY FOR SIXTY YEARS

## ASSEMBLY INSTRUCTION MODEL #590-SA



All electrical components must be installed by a licensed electrician in accordance with the National Electric Code and the appropriate local electrical codes.



You will need 12 - Candelabra Base Bulb  
40 Watts Recommended 60 Watts Max.  
USE LED BULBS FOR EXTENDED USE  
THIS FIXTURE IS DAMP RATED

### How to Install

- 1 .Attach the center stem onto the wiring house.
- 2 .Attach the top of the center stem onto the swivel.
- 3 .Place the candle sleeve onto the socket and insert recommended bulb (not included).
- 4.Dress the crystal A onto the bottom of fixture.
- 5.Adjust the flat metal rings to the preferred angle.

### Crystal Sets

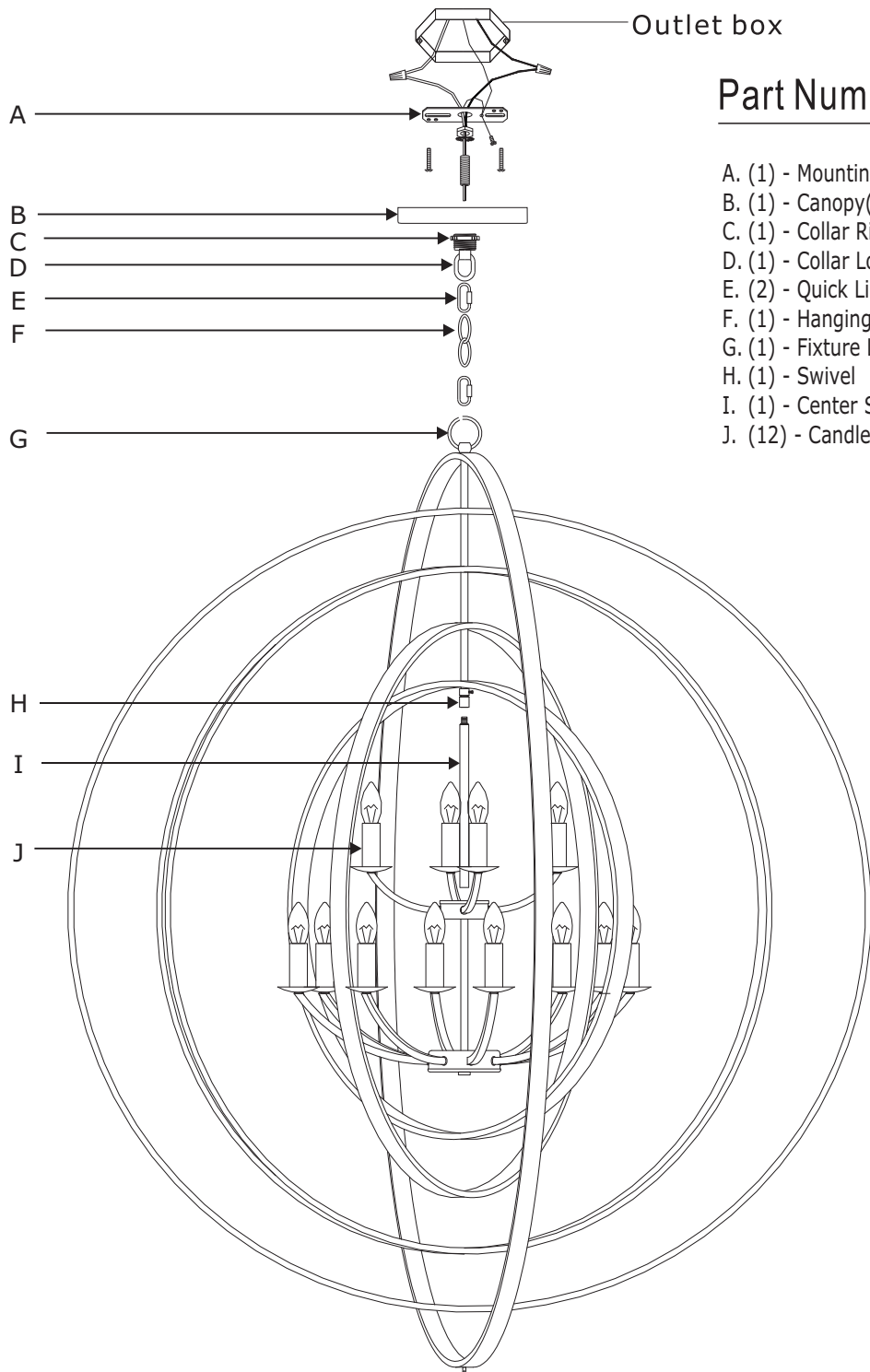
- A.1 Set.  
(2)14mm + (1)80mm Crystal Ball

**⚠ WARNING:** This product can expose you to Lead, which is known to the State of California to cause cancer and/or birth defects or reproductive harm. For more information go to [www.P65Warnings.ca.gov](http://www.P65Warnings.ca.gov).

# CRYSTORAMA

LIGHTING THE WAY FOR SIXTY YEARS

PART NUMBER MODEL #590-SA



Outlet box

## Part Number

- A. (1) - Mounting Hardware
- B. (1) - Canopy(W6",H1") #XRE587SACAN6IN
- C. (1) - Collar Ring
- D. (1) - Collar Loop
- E. (2) - Quick Link
- F. (1) - Hanging Chain(72",5mm) #XRE590SACHA5MM
- G. (1) - Fixture Loop
- H. (1) - Swivel
- I. (1) - Center Stem(7.87",19mm) #XRE590SASETM
- J. (12) - Candle Sleeve(W1.65",H2.56") #XRE590SACDL2.56IN